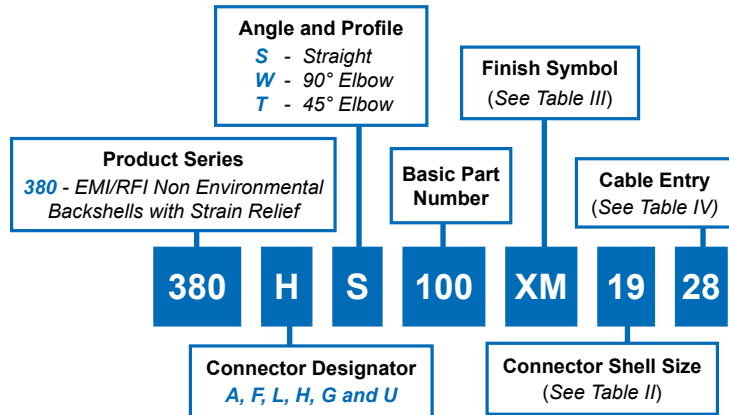




380-100 Composite Cone and Ring Style EMI/RFI Shield Termination Backshell with Self-Locking Rotatable Coupling and Qwik Clamp

A

CONNECTOR DESIGNATOR:	
A	MIL-DTL-5015, -26482 Series II, and -83723 Series I and III
F	MIL-DTL-38999 Series I, II
L	MIL-DTL-38999 Series 1.5 (JN1003)
H	MIL-DTL-38999 Series III and IV
G	MIL-DTL-28840
U	DG123 and DG123A
SELF-LOCKING	
ROTATABLE COUPLING	
STANDARD PROFILE	



Anti-Decoupling Device

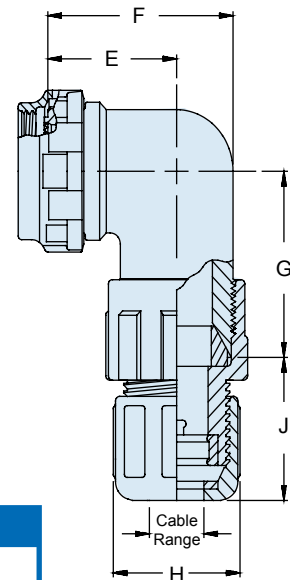
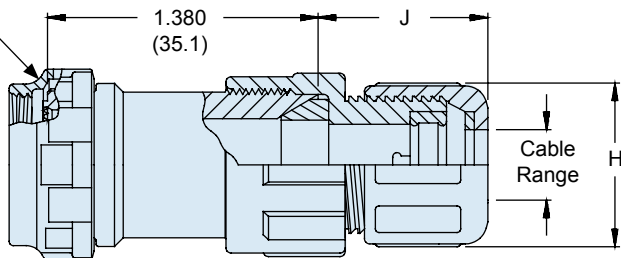


TABLE II: CONNECTOR SHELL SIZE

Shell Size For Connector Designator					E	F	G	Max Entry
A	F/L	H	G	U	± .06 (1.5)	± .09 (2.3)	± .09 (2.3)	Dash No.**
08	08	09	-	-	.69 (17.5)	.88 (22.4)	1.06 (26.9)	08
10	10	11	-	08	.75 (19.1)	1.00 (25.4)	1.13 (28.7)	12
12	12	13	11	10	.81 (20.6)	1.13 (28.7)	1.19 (30.2)	16
14	14	15	13	12	.88 (22.4)	1.31 (33.3)	1.25 (31.8)	20
16	16	17	15	14	.94 (23.9)	1.38 (35.1)	1.31 (33.3)	24
18	18	19	17	16	.97 (24.6)	1.44 (36.6)	1.34 (34.0)	28
20	20	21	19	18	1.06 (26.9)	1.63 (41.4)	1.44 (36.6)	32
22	22	23	-	20	1.13 (28.7)	1.75 (44.5)	1.50 (38.1)	36
24	24	25	23	22	1.19 (30.2)	1.88 (47.8)	1.56 (39.6)	40
28	-	-	25	24	1.34 (34.0)	2.13 (54.1)	1.66 (42.2)	44

**Consult factory for additional entry sizes available.
See introduction for additional connector front-end details.

US PATENT 5211576

380-100
Composite Cone and Ring Style
EMI/RFI Shield Termination Backshell
with Self-Locking Rotatable Coupling and Qwik Clamp

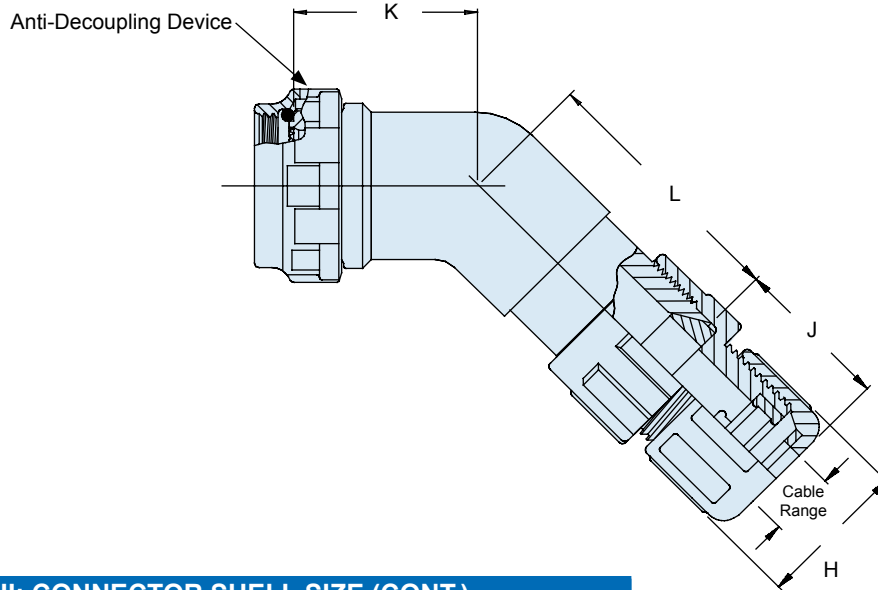


TABLE II: CONNECTOR SHELL SIZE (CONT.)

Shell Size For Connector Designator		K		L		Max Entry Dash No. *
A & F/L	H	± .06	(1.5)	± .06	(1.5)	
08	09	.72	(18.3)	.88	(22.4)	08
10	11	.75	(19.1)	.94	(23.9)	12
12	13	.75	(19.1)	1.00	(25.4)	16
14	15	.76	(19.3)	1.03	(26.2)	20
16	17	.78	(19.8)	1.06	(26.9)	24
18	19	.79	(20.1)	1.07	(27.2)	28
20	21	.82	(20.8)	1.09	(27.7)	32
22	23	.86	(21.8)	1.14	(29.0)	36
24	25	.92	(23.4)	1.17	(29.7)	40

* Consult factory for additional entry sizes available.

NOTES

1. Coupling nut supplied unplated.
2. See Table I in Intro for front-end dimensional details.
3. Metric dimensions (mm) are in parentheses and are for reference only.

TABLE IV: CABLE ENTRY

Entry Code	H (Max)	J (Max)	Cable Range	
			Minimum	Maximum
08	.72 (18.3)	.87 (22.1)	.10 (2.5)	.25 (6.4)
12	.91 (23.1)	1.01 (25.7)	.20 (5.1)	.38 (9.7)
16	1.09 (27.7)	1.11 (28.2)	.33 (8.4)	.50 (12.7)
20	1.22 (31.0)	1.11 (28.2)	.45 (11.4)	.63 (15.9)
24	1.34 (34.0)	1.11 (28.2)	.52 (13.2)	.75 (19.1)
28	1.53 (38.9)	1.26 (32.0)	.64 (16.3)	.88 (22.2)
32	1.72 (43.7)	1.41 (35.8)	.77 (19.6)	1.00 (25.4)
36	1.85 (47.0)	1.41 (35.8)	.86 (21.8)	1.13 (28.6)
40	1.97 (50.0)	1.41 (35.8)	.98 (24.9)	1.25 (31.8)
44	2.09 (53.1)	1.53 (38.9)	1.13 (28.6)	1.38 (34.9)

TABLE III: FINISH

Symbol	Finish Description
XM	2000 Hour Corrosion Resistant Electroless Nickel
XMT	2000 Hour Corrosion Resistant Ni-PTFE, Nickel-Fluorocarbon Polymer. 1000 Hour Grey™
XW	2000 Hour Corrosion Resistant Cadmium/Olive Drab over Electroless Nickel