



AS85049/85, AS85049/86, and AS85049/87 Banding Backshells

Glenair Connector
Designator F

MIL-DTL-38999 Series I & II,
40M38277, PAN 6433-1, PATT
614, PATT 616,
NFC93422 Series HE308 &
HE309

M85049/85-16 P 02

Basic Part No.:

M85049/85 = Straight

M85049/86 = 45°

M85049/87 = 90°

Shell Size

Entry Size

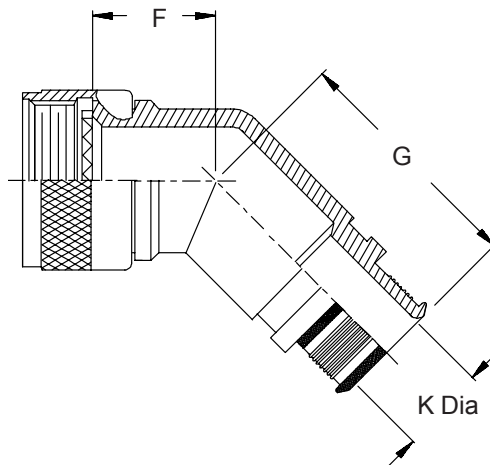
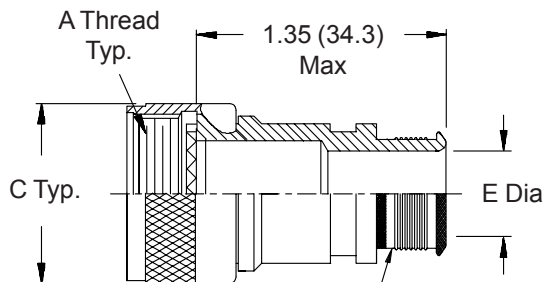
Finish

N = Electroless Nickel

P = Cadmium Olive Drab over
Electroless Nickel with
Polysulfide Sealant Strips

W = 1,000 Hour Cadmium Olive
Drab Over Electroless Nickel

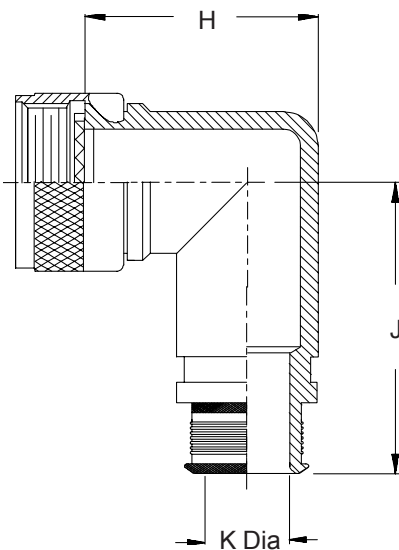
Self Locking Coupling



P Finish Option (Typ.)

Band Term. Area
Free of Cadmium,
Knurl or Ridges
Mfr's Option

Polysulfide Strips



AS85049/85, AS85049/86, and AS85049/87 Banding Backshells



Crimp Ring
and Banding
Backshells

TABLE I

Shell Size	A Thread Class 2B	C Dia Max	F Max	G Max	H Max	J Max
08	.438 - 28 UNEF	.86 (21.8)	.87 (22.1)	1.16 (29.5)	1.375 (34.9)	1.417 (36.0)
10	.562 - 24 UNEF	.99 (25.1)	.90 (22.9)	1.19 (30.2)	1.437 (36.5)	1.480 (37.6)
12	.688 - 24 UNEF	1.16 (29.5)	.92 (23.4)	1.21 (30.7)	1.562 (39.7)	1.553 (39.4)
14	.813 - 20 UNEF	1.28 (32.5)	.95 (24.1)	1.24 (31.5)	1.687 (42.8)	1.614 (41.0)
16	.938 - 20 UNEF	1.41 (35.8)	.98 (24.9)	1.26 (32.0)	1.750 (44.5)	1.678 (42.6)
18	1.063 - 18 UNEF	1.52 (38.6)	.98 (24.9)	1.27 (32.3)	1.875 (47.6)	1.733 (44.0)
20	1.188 - 18 UNEF	1.64 (41.7)	1.01 (25.7)	1.30 (33.0)	1.938 (49.2)	1.796 (45.6)
22	1.313 - 18 UNEF	1.77 (45.0)	1.04 (26.4)	1.33 (33.8)	2.062 (52.4)	1.859 (47.2)
24	1.438 - 18 UNEF	1.89 (48.0)	1.07 (27.2)	1.35 (34.3)	2.125 (54.0)	1.919 (48.7)

TABLE II - Straight Only

Shell Size	E Dia	
	Entry Size 01 ±.010 (.3)	Entry Size 02 ±.010 (.3)
08	N/A	.250 (6.4)
10	N/A	.312 (7.9)
12	.312 (7.9)	.438 (11.1)
14	.438 (11.1)	.562 (14.3)
16	.500 (12.7)	.625 (15.9)
18	.625 (15.9)	.750 (19.1)
20	.625 (15.9)	.812 (20.6)
22	.688 (17.5)	.938 (23.8)
24	.750 (19.1)	1.000 (25.4)

TABLE III - 45° and 90° Only

Shell Size	K Dia	
	Entry Size 02 ±.010 (.3)	Entry Size 03 ±.010 (.3)
08	N/A	.250 (6.4)
10	N/A	.312 (7.9)
12	.312 (7.9)	.438 (11.1)
14	.438 (11.1)	.562 (14.3)
16	.500 (12.7)	.625 (15.9)
18	.625 (15.9)	.750 (19.1)
20	.625 (15.9)	.812 (20.6)
22	.688 (17.5)	.938 (23.8)
24	.750 (19.1)	1.000 (25.4)

1. For complete dimensions see applicable Military Specification.
2. Metric dimensions (mm) are indicated in parentheses.