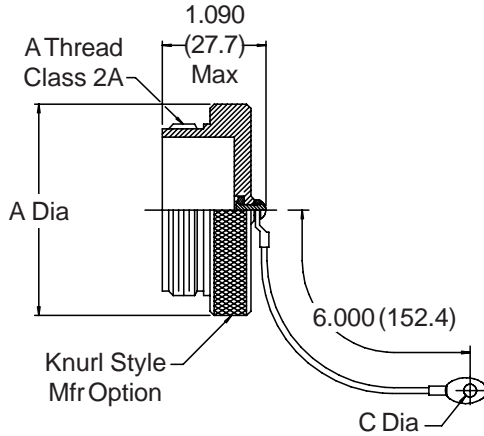


667-011 PLUG COVER

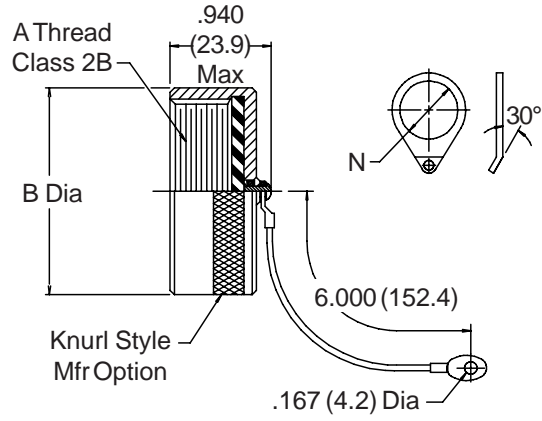


Product Series **667-011 - 14 - 04**

Shell Size (Table I)

Attachment Dash No.
No Dash Required for
Standard .167 (4.2) Dia.

667-012 RECEPTACLE COVER



Product Series **667-012 - 14 - 02**

Shell Size (Table I)

Attachment Ring (Table II)
Omit for Standard Lug
Termination or N = No
Attachment

TABLE I

SHELL SIZE	A MAX	B MAX	ATHREAD CLASS 2A & 2B
10	1.031 (26.2)	.820 (20.8)	5/8 - 24 UNEF
12	1.125 (28.6)	.940 (23.9)	3.4 - 20 UNEF
14	1.219 (31.0)	1.060 (26.9)	7/8 - 20 UNEF
16	1.312 (33.3)	1.190 (30.2)	1 - 20 UNEF
18	1.406 (35.7)	1.320 (33.5)	1 1/8 - 18 UNEF
20	1.553 (39.4)	1.440 (36.6)	1 1/4 - 18 UNEF
24	1.781 (45.2)	1.690 (42.9)	1 1/2 - 18 UNEF
28	2.031 (51.6)	1.940 (49.3)	1 3/4 - 18 UNEF
32	2.281 (57.9)	2.190 (55.6)	2 - 18 UNS
36	2.553 (64.8)	2.440 (62.0)	2 1/4 - 16 UN
40	2.781 (70.6)	2.630 (66.8)	2 1/2 - 16 UN

TABLE II

DASH NO.	SHELL SIZE	C DIA	D DIA
01	10 & 12	.140 (3.6)	.765 (19.4)
02	14	.182 (4.6)	.890 (22.6)
03	16	.191 (4.9)	1.015 (25.8)
04	18	.197 (5.0)	1.140 (29.0)
06	20	.125 (3.2)	1.265 (32.1)
08	24	—	1.577 (40.1)
10	28	—	1.765 (44.8)
Std		.167 (4.2)	.167 (4.2)
N	No Attachment		—

Notes:

1. Metric dimensions (mm) are indicated in parentheses.
2. Rivet to be ultrasonically or chemically welded to cover.
3. Attachment is Wire Rope, Heavy Duty, Cres/Passivated with black polyurethane jacketing.