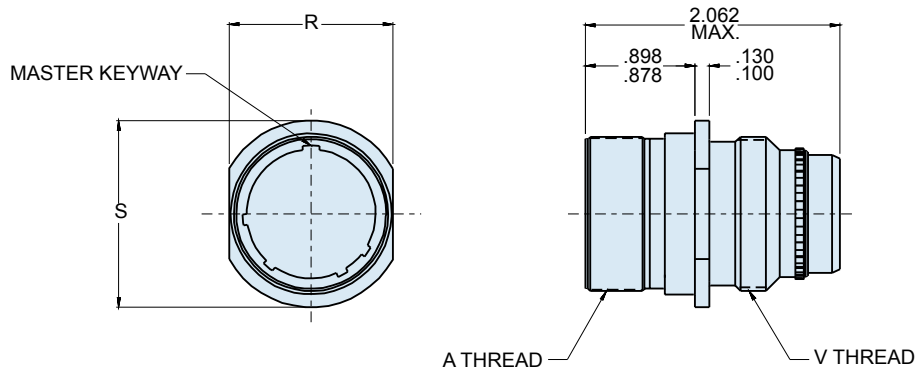
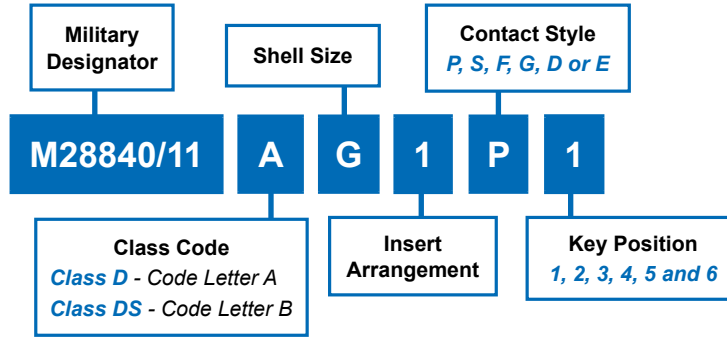


M28840/11 In-Line Receptacle Connector

B



Military Shell Size	Shell Size	A Thread Class 2A	V Thread Class 2A	R	S Diameter
A	11	.750-.1P-.2L-D.S.	.750-20 UNEF	.768 (19.51) .758 (19.25)	.963 (24.46) .943 (23.95)
B	13	.875-.1P-.2L-D.S.	.875-20 UNEF	.893 (22.68) .883 (22.43)	1.088 (27.63) 1.063 (27.13)
C	15	1.062-.1P-.2L-D.S.	1.000-20 UNEF	1.080 (27.43) 1.070 (27.18)	1.275 (32.38) 1.255 (31.88)
D	17	1.125-.1P-.2L-D.S.	1.125-18 UNEF	1.143 (29.03) 1.133 (28.78)	1.338 (33.98) 1.318 (33.48)
E	19	1.312-.1P-.2L-D.S.	1.250-18 UNEF	1.330 (33.78) 1.320 (33.53)	1.525 (38.74) 1.505 (38.23)
F	23	1.500-.1P-.2L-D.S.	1.437-18 UNEF	1.518 (38.56) 1.508 (38.30)	1.713 (43.51) 1.693 (43.00)
G	25	1.625-.1P-.2L-D.S.	1.562-18 UNEF	1.643 (41.73) 1.633 (41.48)	1.838 (46.09) 1.818 (46.18)
H	29	1.812-.1P-.2L-D.S.	1.875-16 UN	1.893 (48.08) 1.883 (47.83)	2.088 (53.04) 2.068 (52.53)
J	33	2.000-.1P-.2L-D.S.	2.062-16 UNS	2.080 (52.83) 2.070 (52.58)	2.275 (57.78) 2.255 (57.28)