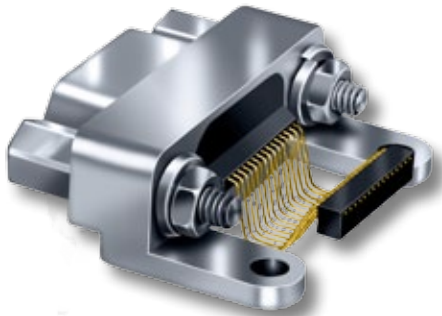




# MWDM Surface Mount Right Angle Micro-D Connectors

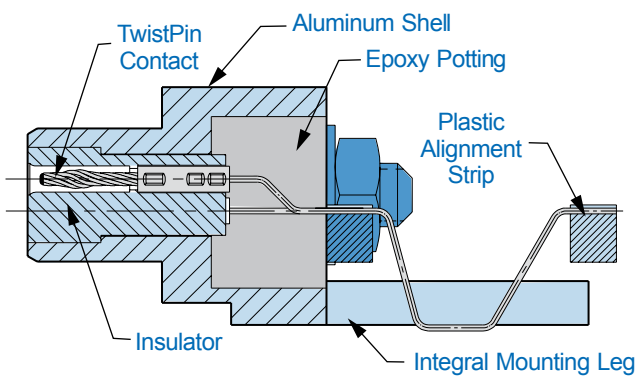


**Surface Mount Micro-D** – These connectors feature .025 inch terminal spacing and an alignment strip for accurate registration. The integral mounting legs provide a ground path.

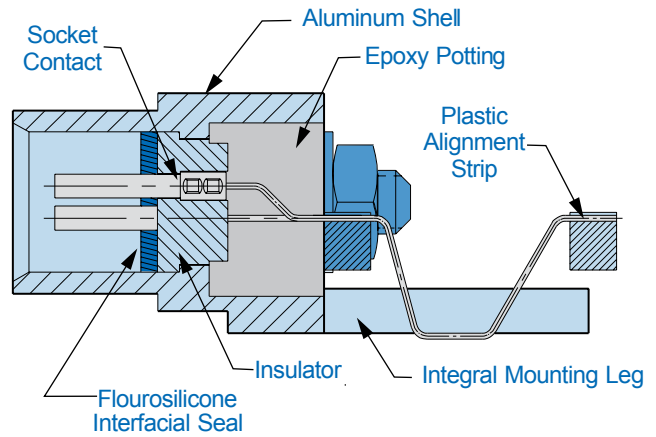
**9 To 51 Contacts** – These compact connectors are lighter and smaller than comparable thru-hole versions.

**Mil Spec Reliability** – Suitable for mission-critical requirements, These high performance connectors meet the requirements of MIL-DTL-83513.

C



**Pin Connector**



**Socket Connector**

## HOW TO ORDER SURFACE MOUNT PCB MICRO-D CONNECTORS

Series	Shell Material and Finish	Insulator Material	Contact Layout	Contact Type	Termination Type	Jackpost or Jackscrew Option	Board Mounting Threaded Insert Option
MWDM	1 – Cadmium	L – LCP  30% Glass-Filled Liquid Crystal Polymer	9	P – Pin	SMR Surface Mount Right Angle	N – Thru-Hole	N – Thru-Hole, No Insert  T – Threaded Inserts
	2 – Nickel		15	S – Socket		P – Jackpost	
	4 – Black Anodize		21	M – Jackscrew, Hex Head			
	5 – Gold		25	T – Threaded Insert			
	6 – Chem Film		31	Jackposts for Rear Panel Mounting			
			37	R1 – .032" Panel			
		51-2	R2 – .047" Panel				
		R3 – .062" Panel					
		R4 – .093" Panel					
		R5 – .125" Panel					
	Stainless Steel Shell						<p>#2-56 Insert</p>
	3 – Passivated						
<b>Sample Part Number</b>							
MWDM	2	L	– 51-2	P	SMR	P	N

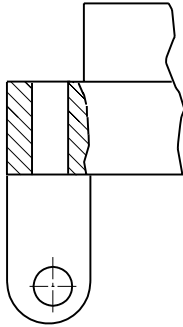
MWDM  
Surface Mount Right Angle  
Micro-D Connectors



Micro-D  
PCB

SURFACE MOUNT MICRO-D HARDWARE OPTIONS

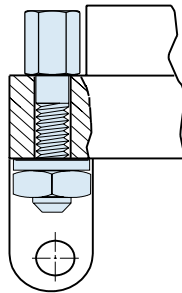
N



**Thru-Hole**

No jackpost supplied

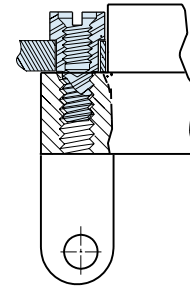
P



**Standard Jackpost**

Factory installed with nut and lockwasher

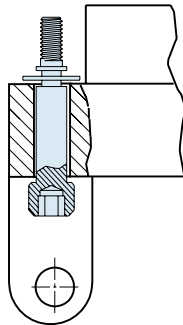
R1 Thru R5



**Jackpost for Rear Panel Mounting**

Shipped loosely installed. Install with permanent threadlocking compound.

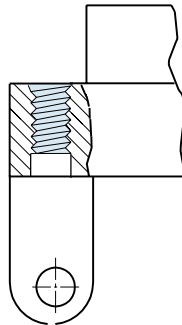
M



**Jackscrew, Hex Drive**

Attached with e-ring

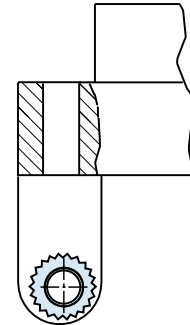
T



**Threaded Insert**

#2-56 Thread

T



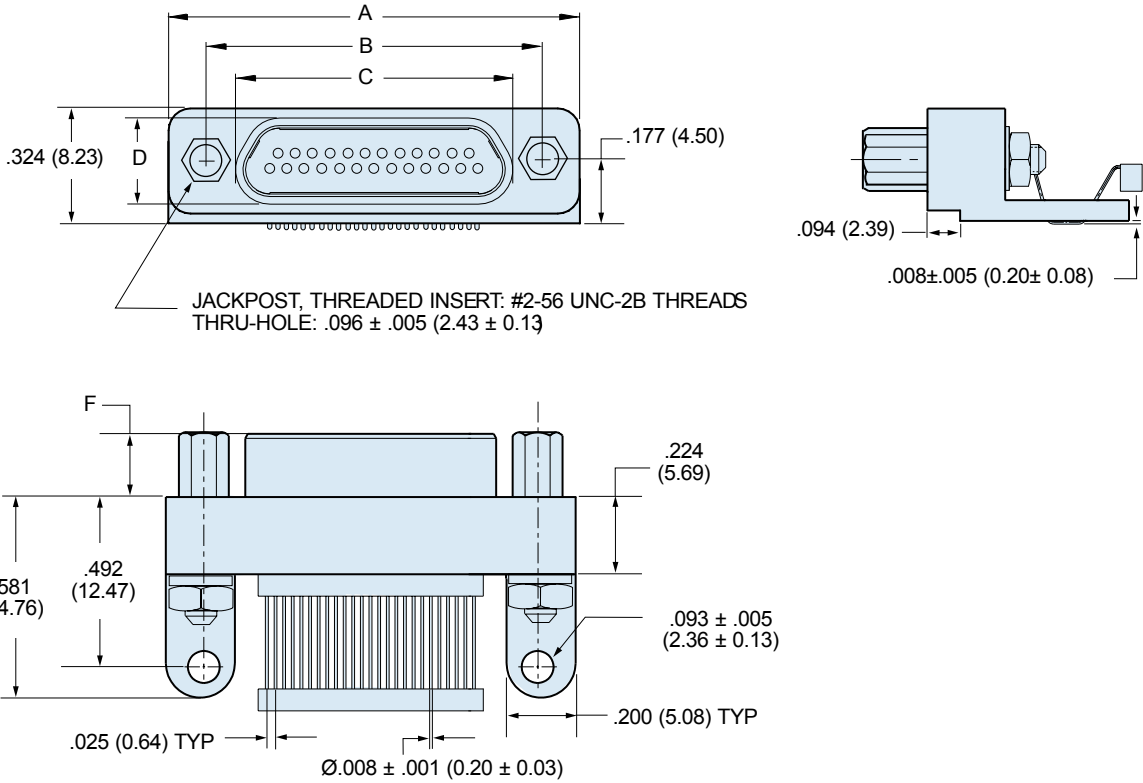
**Board Mount Threaded Insert**

PERFORMANCE SPECIFICATIONS

Current Rating	1 AMP
DWV	600 VAC Sea level
Insulation Resistance	5000 Megohms Minimum
Contact Resistance	8 Milliohms Maximum
Low Level Contact Resist.	32 Milliohms Maximum
Magnetic Permeability	2 $\mu$ Maximum
Operating Temperature	-55° C. to +150° C.
Shock, Vibration	50 g., 20g.
Mating Force	(10 Ounces) X (# of Contacts)

MATERIALS AND FINISHES

Connector Shell	Aluminum Alloy 6061. See Ordering Info for Plating Options
Insulators	Liquid Crystal Polymer (LCP)
Interfacial Seal	Fluorosilicone Rubber, Blue
Pin Contact	Beryllium Copper Gold over Nickel Plating
Socket Contact	Copper Alloy Gold Over Nickel Plating
PCB Terminals	Gold Plated Copper Alloy, Solder Dipped
Hardware	300 Series Stainless Steel
Encapsulant	Epoxy Resin Hysol EE4215



**DIMENSIONS**

Layout	A Max.		B		C Max.		D Max.		F	
	In.	mm.	In. ±.005	mm. ±0.13	In.	mm.	In.	mm.	In. ±.003	mm. ±0.08
9P	.785	19.94	.565	14.35	.333	8.46	.184	4.67	.183	4.65
9S	.785	19.94	.565	14.35	.400	10.16	.250	6.35	.195	4.95
15P	.935	23.75	.715	18.16	.483	12.27	.184	4.67	.183	4.65
15S	.935	23.75	.715	18.16	.551	14.00	.250	6.35	.195	4.95
21P	1.085	27.56	.865	21.97	.633	16.08	.184	4.67	.183	4.65
21S	1.085	27.56	.865	21.97	.701	17.81	.250	6.35	.195	4.95
25P	1.185	30.01	.965	24.51	.733	18.62	.184	4.67	.183	4.65
25S	1.185	30.01	.965	24.51	.801	20.35	.250	6.35	.195	4.95
31P	1.335	33.91	1.115	28.32	.883	22.43	.184	4.67	.183	4.65
31S	1.335	33.91	1.115	28.32	.951	24.16	.250	6.35	.195	4.95
37P	1.485	37.72	1.265	32.13	1.033	26.24	.184	4.67	.183	4.65
37S	1.485	37.72	1.265	32.13	1.101	27.96	.250	6.35	.195	4.95
51-2P	1.840	46.74	1.615	41.02	1.375	34.93	.184	4.67	.183	4.65
51-2S	1.840	46.74	1.615	41.02	1.444	36.68	.250	6.35	.195	4.95

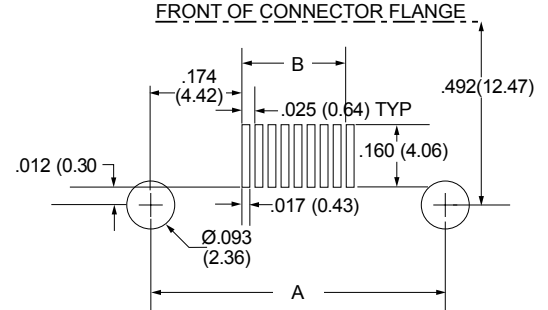
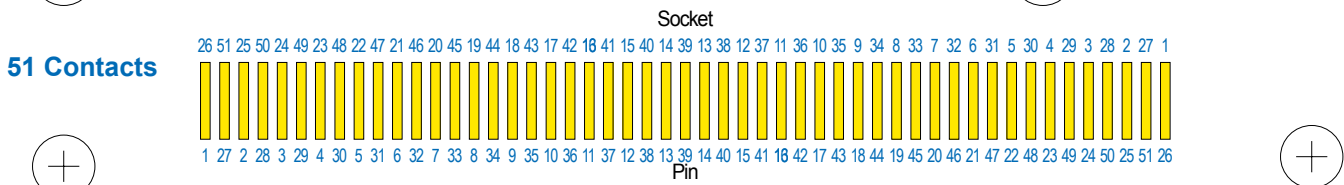
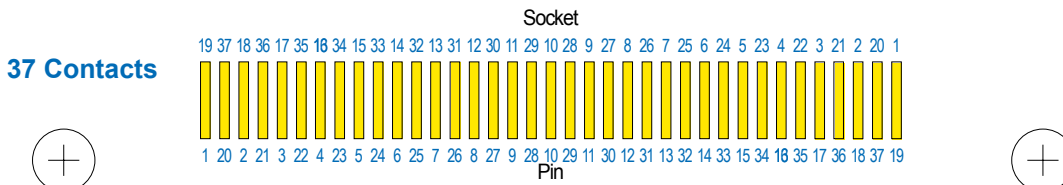
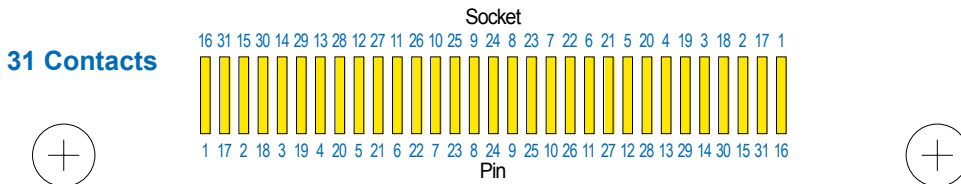
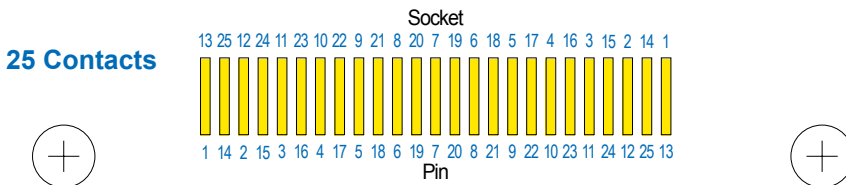
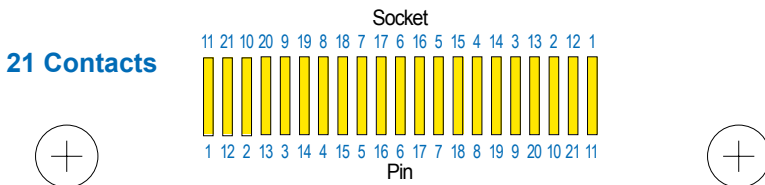
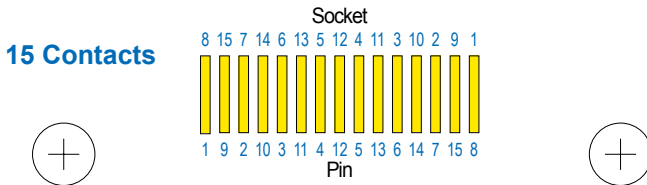
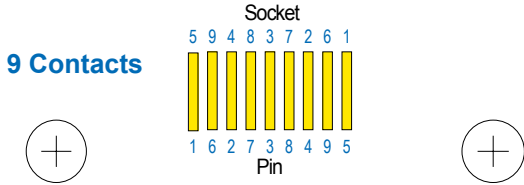
# MWDM Surface Mount Right Angle Micro-D Connectors



Micro-D  
PCB

## SMR SURFACE MOUNT CONNECTOR PCB LAYOUTS

### Suggested Printed Circuit Board Layout



Layout	A		B	
	In.	mm.	In.	mm.
9	.565	14.35	.200	5.08
15	.715	18.16	.350	8.89
21	.865	21.97	.500	12.70
25	.965	24.51	.600	15.24
31	1.115	28.32	.750	19.05
37	1.265	32.13	.900	22.86
51-2	1.615	41.02	1.250	31.75

C