

AC Laminated Solenoid



Model 18P

Features:

- High stroke force
- High holding force
- Brass plunger guide
- See model 18 for Pull Model
- UL recognized

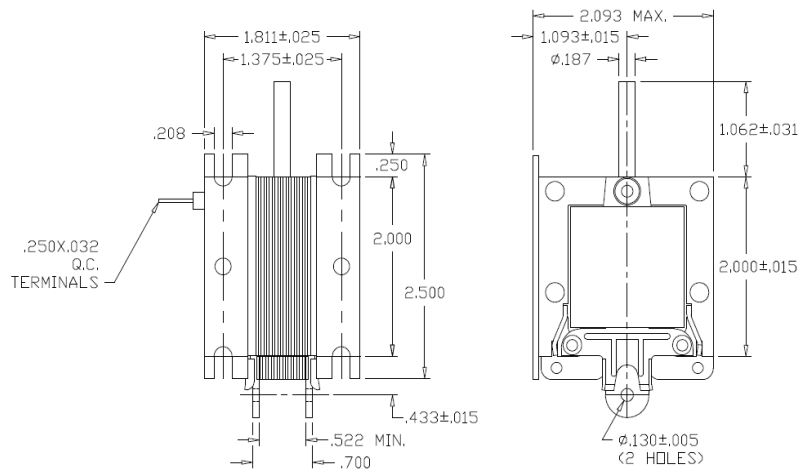
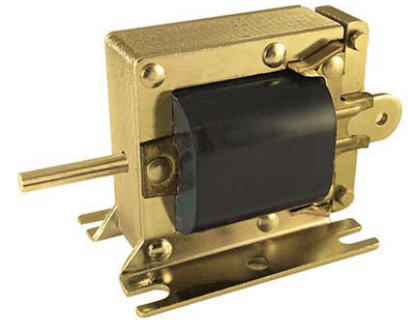
Electrical:

- Coil Voltages: 120, 240 VAC standard
- Coil Termination: 1/4" Quick Connects
- Duty Cycle: 100% Continuous, 10% Intermittent
- Coil treatment: Encapsulated, Tape Wrapped
- Insulation Class: Class A Rating - 105° C (221° F)
- Dielectric Strength: 1500V 60 Hz

Mechanical:

- Size: 2.5" (L) x 1.8" (W) x 2.1" (H)
- Plunger Width: 0.7"
- Plunger Guide Material: Steel
- Mounting: 6 0.208" holes
- Weight: Plunger 4.5 oz, Total 17 oz
- Life Expectancy: 250,000 Cycles¹

¹ - Dependent on load conditions



Solenoid shown energized with plunger fully seated in extended position

Standard Part Numbers

Model No.	Part No.	Duty Cycle	Voltage	Resistance ² (Ω)	Power (VA)	Current
18P-C-120A	A421-063493-08	Cont.	120VAC	8.8	228	2 A
18P-I-120A	A421-063493-07	Inter. 10%	120VAC	19.7	49	430 mA
18P-C-240A	TBA	Cont.	240VAC	45	228	1.1 A
18P-I-240A	TBA	Inter. 10%	240VAC	78	49	220 mA

² - Coil resistance tolerance +/- 5%

Contact us for custom voltages or duty cycles

+

Available Customization:

- Plunger Connection
- Coil Treatment
- Quick Connect or Lead
- Insulation systems up to class H 180° C (356° F)

*** Minimum quantities apply**

Stroke (in.)	Typical Push Force Ounces [N] @ 20°C (68°F) (Distance from fully extended position)							HOLDING FORCE Ounces [N]
	0.125	0.250	0.375	0.500	0.625	0.750	1.000	
Continuous 100%	155 [43]	115 [32]	105 [29.2]	105 [29.2]	105 [29.2]	100 [27.8]	60 [16.7]	245 [68.1]
Intermittent 10%	336 [93.4]	240 [66.7]	200 [55.6]	195 [54.2]	200 [55.6]	195 [54.2]	144 [40]	430 [119.6]

Continuous Duty 100% = 100% On Time

Intermittent Duty 10% = 10% On Time (3 Minutes On Max Followed By 27 Minutes Off)



GUARDIAN-ELECTRIC.COM

1425 Lake Ave - Woodstock IL 60098 - Phone: 800-762-0369
The information is subject to change without notice. © Guardian Electric

