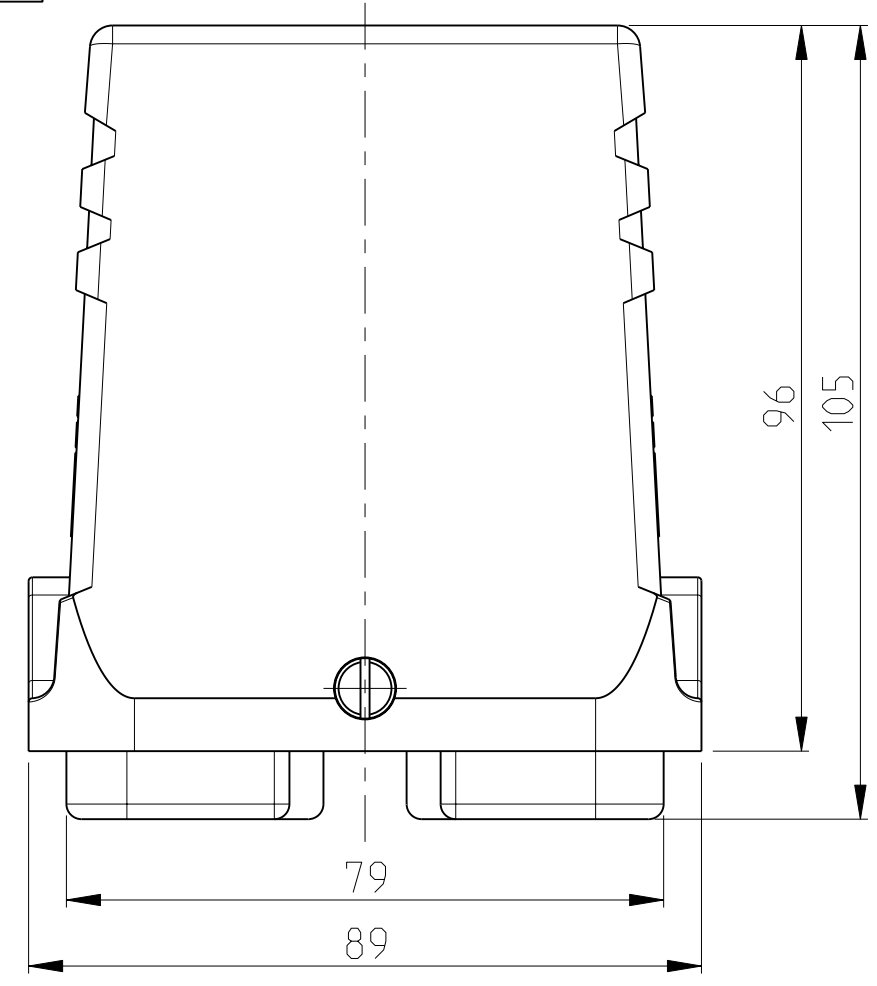
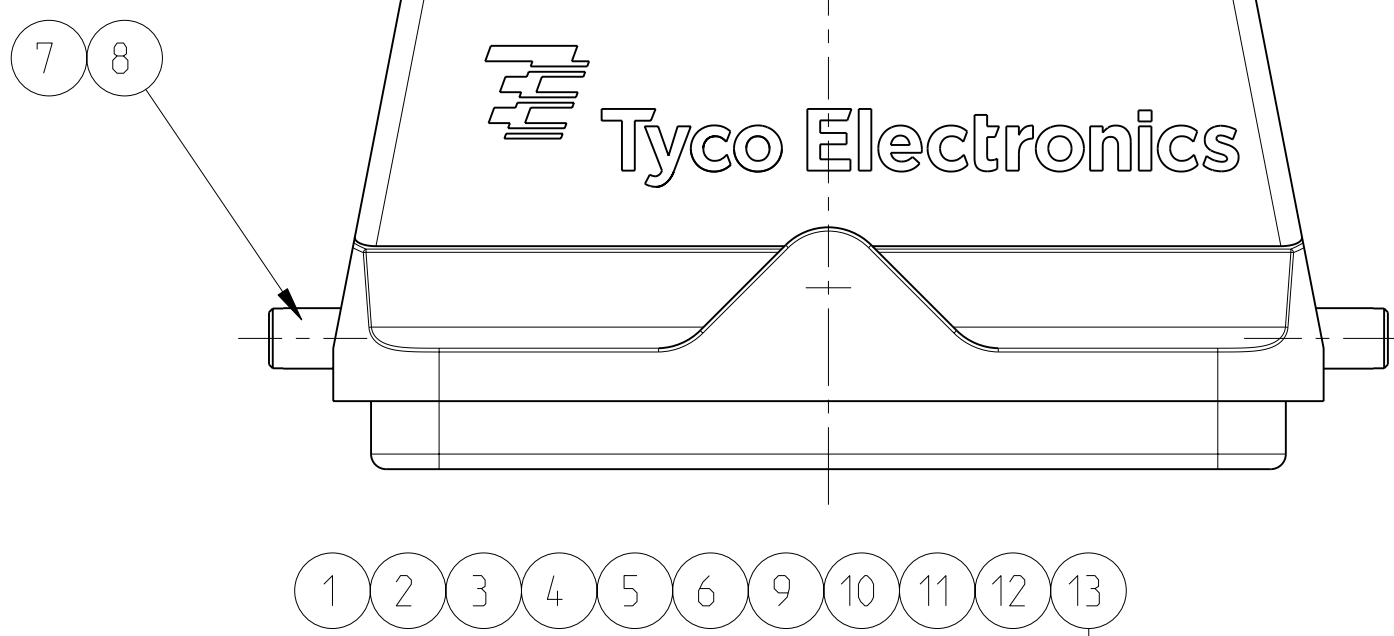


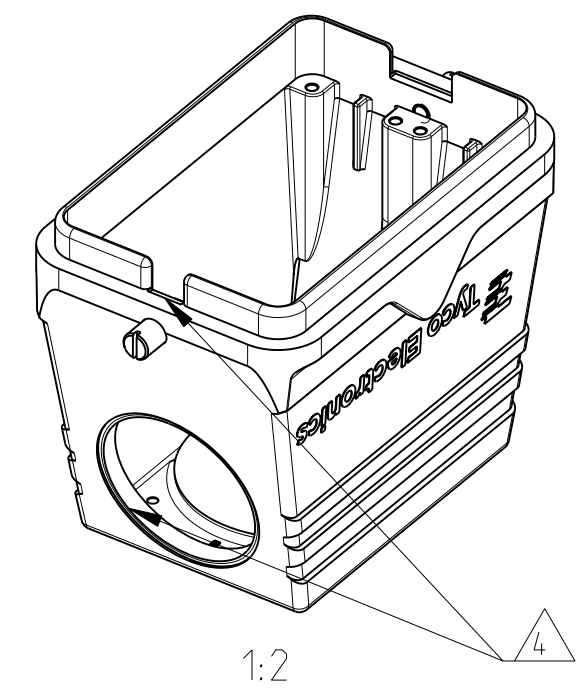
THIS DRAWING IS UNPUBLISHED. RELEASED FOR PUBLICATION 2006  
 © COPYRIGHT 2006 BY TYCO ELECTRONICS CORPORATION. ALL RIGHTS RESERVED.

LOC	DIST	REVISIONS			
P	LTR	DESCRIPTION	DATE	DWN	APVD
A1	-				
B3		new pro/E drawing ECR-08-022186	27JAN2009	SR	AR
B4		ECR-10-008205	29APR2010	VG	AR

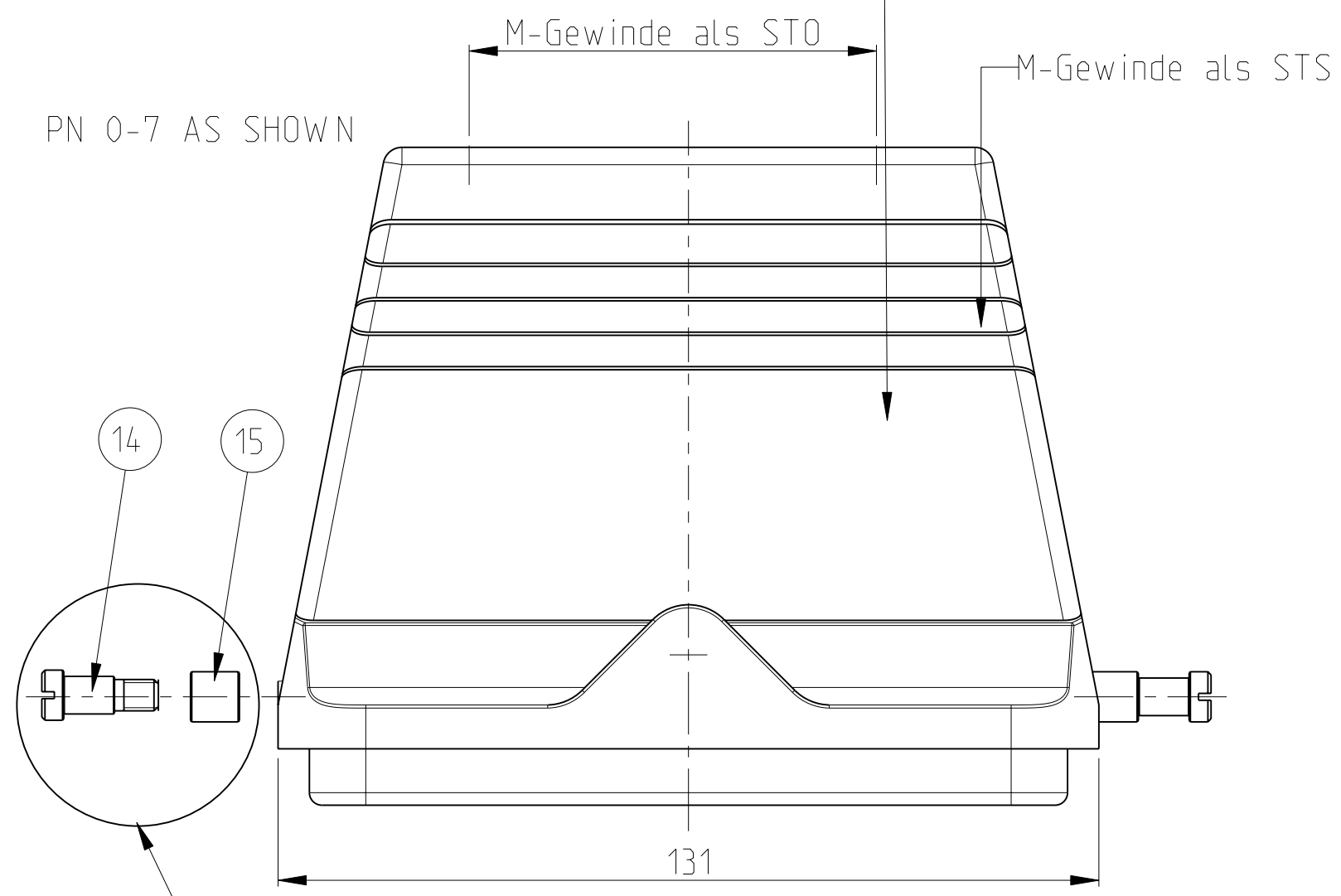
PN 0-1 AS SHOWN



PN 1-2



PN 0-7 AS SHOWN



1-2	1-1	1-0	0-9	0-8	0-7	0-6	0-5	0-4	0-3	0-2	0-1	DESCRIPTION	MATERIAL	SURFACE	COLOR	ITEM	NOTES
												HOOD-HB-K	ALUMINIUM	ALUMINIUM OXID	BLACK	16	SMALL CODING NUT
												SLIDE SPOOL - ST ÄUBLI	BRASS	BLANC		15	
												CLIP BOLT	STAINLESS STEEL	BLANC		14	
											1	HOOD-HB	ALUMINIUM		GREY	13	
												HOOD-HB	ALUMINIUM		GREY	12	WITHOUT HTS-LOGO
												HOOD-HB	ALUMINIUM		GREY	11	WITHOUT HTS-LOGO
												HOOD-HB	ALUMINIUM		GREY	10	WITHOUT HTS-LOGO
												HOOD-HB	ALUMINIUM		GREY	9	WITHOUT HTS-LOGO
												CLIP BOLT	STAINLESS STEEL	BLANC		8	
												CLIP BOLT	STEEL	ZINK PLATED	BLUE	7	
												HOOD-HB-K	ALUMINIUM	ALUMINIUM OXID	BLACK	6	
												HOOD-HB	ALUMINIUM		GREY	5	
												HOOD-HB-K	ALUMINIUM	ALUMINIUM OXID	BLACK	4	
												HOOD-HB-K	ALUMINIUM	ALUMINIUM OXID	BLACK	3	
												HOOD-HB	ALUMINIUM		GREY	2	
												HOOD-HB	ALUMINIUM		GREY	1	
												DESCRIPTION	MATERIAL	SURFACE	COLOR	ITEM	NOTES
												HB.48.STO-GR.1.M50.G					
												HB.48.STS-GR.1.M50.G					
												HB-K.48.STO-GR.1.M63.G					
												HB-K.48.STS-GR.1.M50.G					
												HB.48.STS-GR.1.M40.G					
												HB-K.48.STO-GR.1.M50.G					
												HB.48.STO-GR.1.M50.G					
												HB.48.STS-GR.1.M50.G					
												HB.48.ST-GR					
												HB.48.STO-GR.1.M40.G					
												HB.48.STO-GR.2.M25.G					
												HB-K.48.STS-GR.1.M50.G-Code					

NOTES

- 1 PART SHALL BE FREE AND CLEAN OF BURRS AND OTHER FOREIGN MATERIAL
- 2 PACKAGING: QUANTITY 3 PIECES
- 3 VARNISHING INSIDE HOUSING NOT REQUIRED
- 4 GLAND FITTING THREAD IS ORIENTATED TO THE SMALLER POLARIZATION NOTCH

THIS DRAWING IS A CONTROLLED DOCUMENT FOR TYCO ELECTRONICS CORPORATION IT IS SUBJECT TO CHANGE AND THE CONTROLLING ENGINEERING ORGANIZATION SHOULD BE CONTACTED FOR THE LATEST REVISION.

DWN: R.SCHNEIDER 27JAN2009  
 CHK: T.SCHNURPFEL 27JAN2009  
 APVD: -

tyco Electronics AMP GmbH  
 53757 Sankt Augustin (Germany)

NAME: HOOD  
 HB.48.STO-GR.1.M50.G

SIZE: A2 CAGE CODE: 00779 DRAWING NO: 1106482 RESTRICTED TO: -

SCALE: 1:1 SHEET: 1 OF 1 REV: B4

CUSTOMER DRAWING