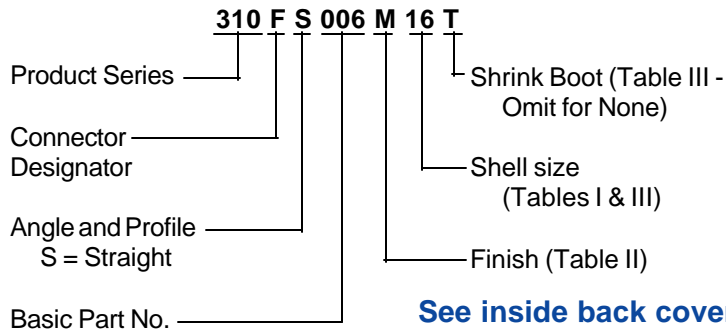
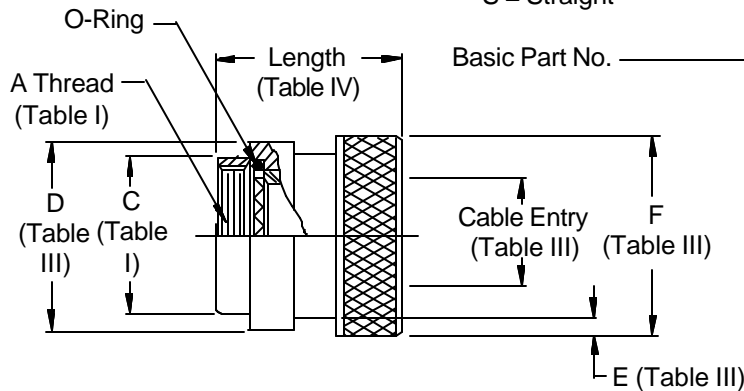




# 310-006 O-Ring Sealed Shrink Boot Adapter Straight - Rotatable Coupling - Low Profile

## CONNECTOR DESIGNATORS A-F-H-L-S DIRECT COUPLING



**See inside back cover  
fold-out or pages 13 and  
14 for unabridged  
Tables I and II.**

1. See Shrink Boot Reference Information (page 40).
2. Metric dimensions (mm) are indicated in parentheses.

**TABLE III: CABLE ENTRY AND SHRINK BOOT**

Shell Size	D Max	Cable Entry Min	E Min	F Max	Shrink Boot *
08/09	.657 (16.7)	.250 (6.4)	.044 (1.1)	.688 (17.5)	202K121-25-0
10/11	.774 (19.7)	.355 (9.0)	.044 (1.1)	.803 (20.4)	202K121-25-0
12/13	.818 (20.8)	.491 (12.5)	.044 (1.1)	.938 (23.8)	202K132-25-0
14/15	1.024 (26.0)	.565 (14.4)	.044 (1.1)	1.063 (27.0)	202K132-25-0
16/17	1.152 (29.3)	.690 (17.5)	.069 (1.8)	1.238 (31.4)	202K142-25-0
18/19	1.243 (31.6)	.769 (19.5)	.069 (1.8)	1.310 (33.3)	202K142-25-0
20/21	1.370 (34.8)	.844 (21.4)	.069 (1.8)	1.436 (36.5)	202K153-25-0
22/23	1.443 (36.7)	1.019 (25.9)	.069 (1.8)	1.560 (39.6)	202K163-25-0
24/25	1.618 (41.1)	1.134 (28.8)	.069 (1.8)	1.686 (42.8)	202K163-25-0
28/29	1.969 (50.0)	1.369 (34.8)	.086 (2.2)	2.062 (52.4)	202K185-25-0
32	2.219 (56.4)	1.615 (41.0)	.086 (2.2)	1.312 (33.3)	202K185-25-0
36	2.469 (62.7)	1.830 (46.5)	.086 (2.2)	2.562 (65.1)	202K185-25-0
40	2.719 (69.1)	2.045 (51.9)	.086 (2.2)	2.812 (71.4)	n/a
44	2.969 (75.4)	2.300 (58.4)	.086 (2.2)	3.062 (77.8)	n/a
48	3.219 (81.8)	2.550 (64.8)	.086 (2.2)	3.312 (84.1)	n/a

\* Raychem Shrink Boot Supplied with "T" Option (see Part Number Development)

**TABLE IV: LENGTH**

Shell Sizes	Length Max - Connector Designator			
	A	F	H	L & S
08-25	.540 (13.7)	.625 (15.9)	.688 (17.5)	.750 (19.1)
28-48	.702 (17.8)	---	---	---

**TABLE II - STANDARD FINISHES**

GLENNAIR SYMBOL	FINISH
B	Cadmium Plate, Olive Drab
C	Anodize, Black
G	Hard Coat, Anodic
M	Electroless Nickel
NF	Cadmium Plate, Olive Drab Over Electroless Nickel

See Back Cover for Complete Finish Information and Additional Finish Options

**-445** Add "-445" to Specify Glenair's Non-Detent, ("NESTOR") Spring-Loaded, Self-Locking Coupling. See Page 41 for Details.