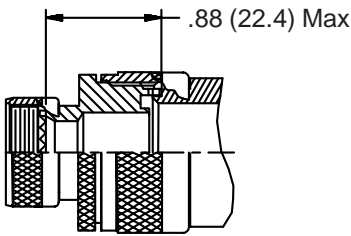
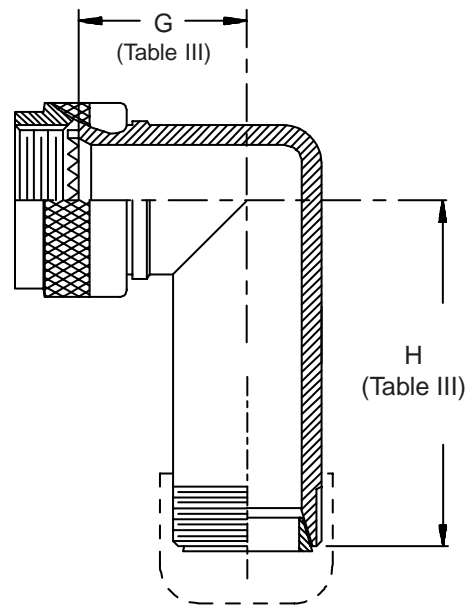
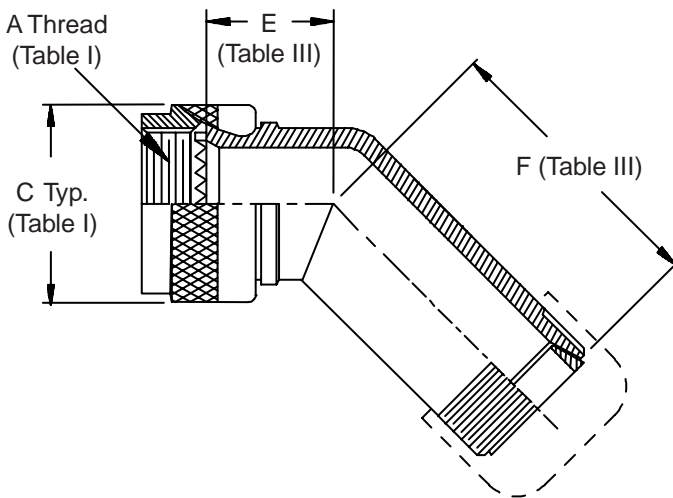
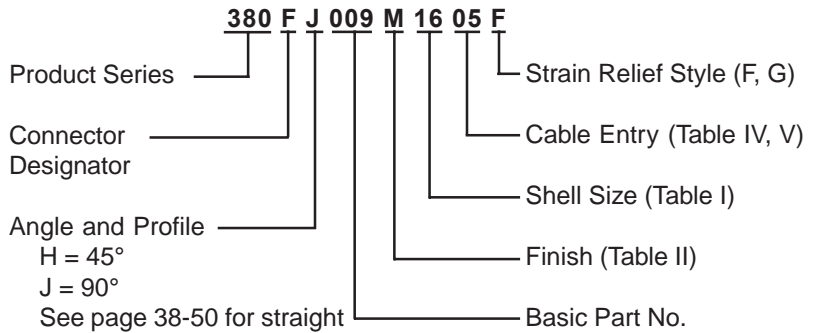


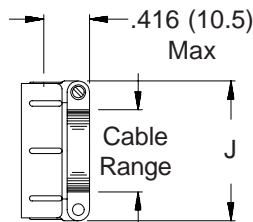
**CONNECTOR  
DESIGNATORS  
A-F-H-L-S  
ROTATABLE  
COUPLING**

**TYPE D INDIVIDUAL  
OR OVERALL  
SHIELD TERMINATION**

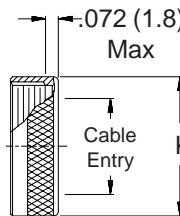


**STYLE 2**  
(See Note 1)

**STYLE F**  
Light Duty  
(Table IV)



**STYLE G**  
Light Duty  
(Table V)



**380-009**  
**EMI/RFI Non-Environmental Backshell**  
 with Strain Relief  
 Type D - Rotatable Coupling - Standard Profile



See inside back cover fold-out or pages 13 and 14 for unabridged Tables I and II.

**TABLE III: ELBOW DIMENSIONS**

Shell Size		E Max	F Max	G Max	H Max
Conn. Desig. A-F-L-S	H				
08	09	.639 (16.2)	.760 (19.3)	.750 (19.1)	.860 (21.8)
10	11	.664 (16.9)	.790 (20.1)	.810 (20.6)	.930 (23.6)
12	13	.688 (17.5)	.810 (20.6)	.870 (22.1)	.990 (25.1)
14	15	.705 (17.9)	.840 (21.3)	.920 (23.4)	1.050 (26.7)
16	17	.732 (18.6)	.860 (21.8)	.980 (24.9)	1.110 (28.2)
18	19	.748 (19.0)	.870 (22.1)	1.020 (25.9)	1.160 (29.5)
20	21	.773 (19.6)	.890 (22.6)	1.080 (27.4)	1.230 (31.2)
22	23	.800 (20.3)	.930 (23.6)	1.140 (29.0)	1.280 (32.5)
24	25	.823 (20.9)	.960 (24.4)	1.200 (30.5)	1.350 (34.3)
28		1.041 (26.4)	1.130 (28.7)	1.480 (37.6)	1.590 (40.4)
32		1.092 (27.7)	1.170 (29.7)	1.610 (40.9)	1.680 (42.7)
36		1.138 (28.9)	1.220 (31.0)	1.720 (43.7)	1.790 (45.5)

**TABLE II: STANDARD FINISHES**

GLENAIR	
SYMBOL	FINISH
B	Cadmium Plate, Olive Drab
M	Electroless Nickel
NF	Cadmium Plate, Olive Drab Over Electroless Nickel
See Inside Back Cover for Additional Finish Options	

**TABLE IV: CABLE ENTRY**

Dash No.	J Max	Cable Range	
		Min	Max
02	.968 (24.6)	.125 (3.2)	.250 (6.4)
03	1.046 (26.6)	.250 (6.4)	.375 (9.5)
04	1.156 (29.4)	.312 (7.9)	.500 (12.7)
05	1.218 (30.9)	.437 (11.1)	.625 (15.9)
06	1.343 (34.1)	.562 (14.3)	.750 (19.1)
07	1.468 (37.3)	.687 (17.4)	.875 (22.2)
08	1.593 (40.5)	.812 (20.6)	1.000 (25.4)
10	1.843 (46.8)	1.062 (27.0)	1.250 (31.8)

**TABLE V: CABLE ENTRY**

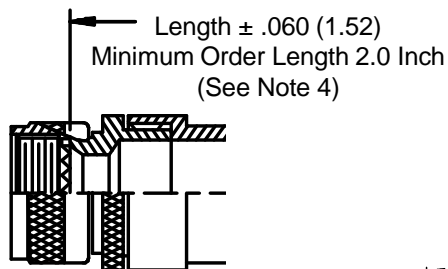
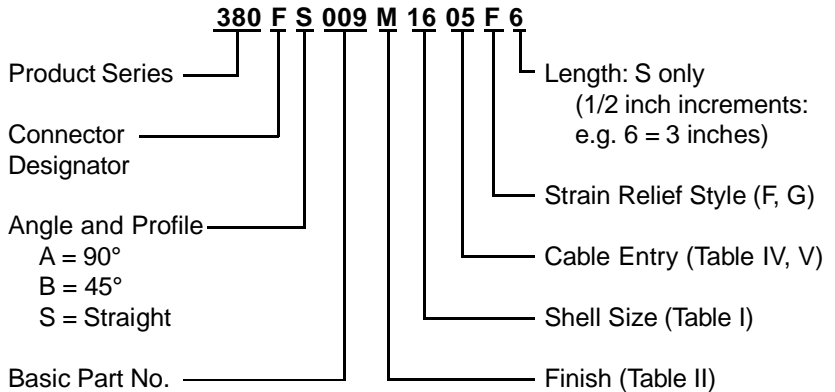
Dash No.	K Max	Cable Entry Max
02	.781 (19.8)	.250 (6.4)
03	.906 (23.0)	.375 (9.5)
04	1.031 (26.2)	.500 (12.7)
05	1.156 (29.4)	.625 (15.9)
06	1.281 (32.5)	.750 (19.1)
07	1.406 (35.7)	.875 (22.2)
08	1.531 (38.9)	1.000 (25.4)
09	1.656 (42.1)	1.125 (28.6)
10	1.781 (45.2)	1.250 (31.8)

1. Metric dimensions (mm) are indicated in parentheses.
2. Cable range is defined as the accommodations range for the wire bundle or cable. Dimensions shown are not intended for inspection criteria.
3. When maximum cable entry (page 21) is exceeded, Style 2 will be supplied. Dimensions E, F, G and H will not apply. Please consult factory.
4. -445 "NESTOR" modification not available for MIL-DTL-38999 Series II.

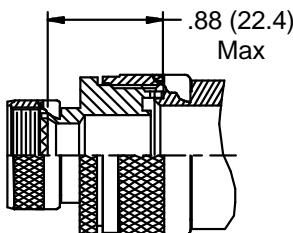
**-445** Add "-445" to Specify Glenair's Non-Detent, ("NESTOR") Spring-Loaded, Self-Locking Coupling. See Page 41 for Details.

**CONNECTOR  
 DESIGNATORS  
 A-F-H-L-S  
 ROTATABLE  
 COUPLING**

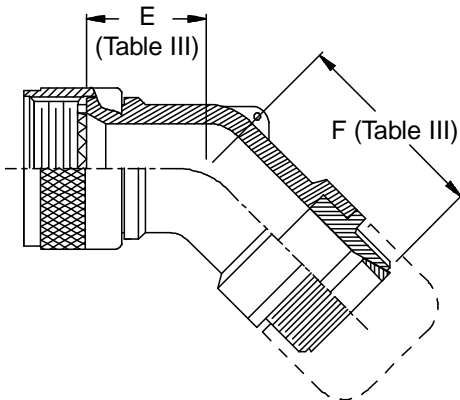
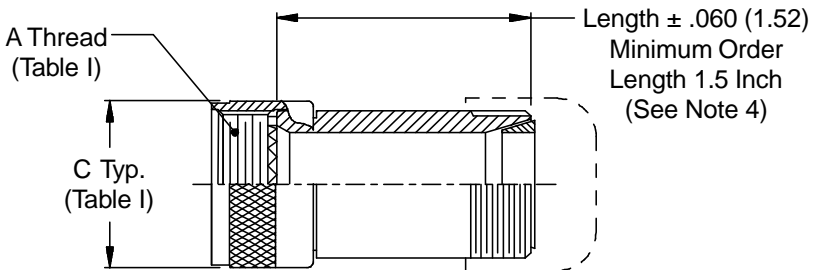
**TYPE D INDIVIDUAL  
 OR OVERALL  
 SHIELD TERMINATION**



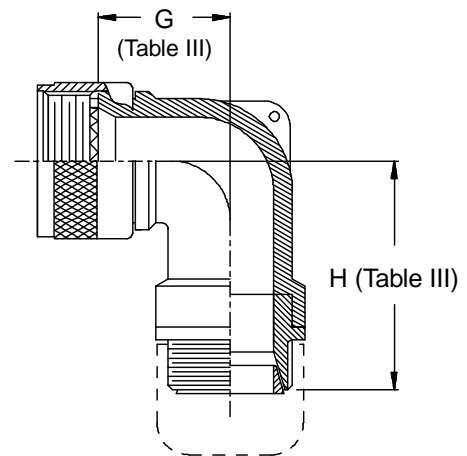
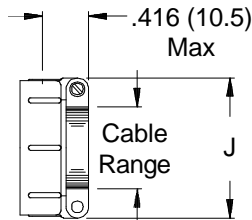
**STYLE 2  
 (STRAIGHT  
 See Note 1)**



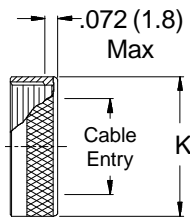
**STYLE 2  
 (45° & 90°  
 See Note 1)**



**STYLE F  
 Light Duty  
 (Table IV)**



**STYLE G  
 Light Duty  
 (Table V)**



-445

Now Available with the "NESTOR"

**Glenair's Non-Detent, Spring-Loaded, Self-Locking Coupling.**  
 Add "-445" to Specify This AS85049 Style "N" Coupling Interface.

See inside back cover fold-out or pages 13 and 14 for unabridged Tables I and II.

**TABLE III: ELBOW DIMENSIONS**

Shell Size		E Max	F Max	G Max	H Max
Conn. Desig. A-F-L-S	H				
08	09	.457 (11.6)	1.500 (38.1)	.500 (12.7)	1.445 (36.7)
10	11	.520 (13.2)	1.510 (38.4)	.595 (15.1)	1.565 (39.8)
12	13	.582 (14.8)	1.580 (40.1)	.610 (15.5)	1.585 (40.3)
14	15	.645 (16.4)	1.660 (42.2)	.700 (17.8)	1.655 (42.0)
16	17	.738 (18.7)	1.770 (45.0)	.885 (22.5)	1.725 (43.8)
18	19	.926 (23.5)	1.960 (49.8)	.975 (24.8)	1.915 (48.6)
20	21	.926 (23.5)	1.960 (49.8)	.975 (24.8)	1.915 (48.6)
22	23	1.020 (25.9)	2.110 (53.6)	1.125 (28.6)	2.025 (51.4)
24	25	1.020 (25.9)	2.110 (53.6)	1.125 (28.6)	2.025 (51.4)
28		1.145 (29.1)	2.160 (54.9)	1.225 (31.1)	2.195 (55.8)
32		1.207 (30.7)	2.260 (57.4)	1.575 (40.0)	2.445 (62.1)
36		1.238 (31.4)	2.360 (59.9)	1.775 (45.1)	2.445 (62.1)

**TABLE II: STANDARD FINISHES**

GLENAIR	
SYMBOL	FINISH
B	Cadmium Plate, Olive Drab
M	Electroless Nickel
NF	Cadmium Plate, Olive Drab Over Electroless Nickel
See Inside Back Cover for Additional Finish Options	

**TABLE IV: CABLE ENTRY**

Dash No.	J Max	Cable Range	
		Min	Max
02	.968 (24.6)	.125 (3.2)	.250 (6.4)
03	1.046 (26.6)	.250 (6.4)	.375 (9.5)
04	1.156 (29.4)	.312 (7.9)	.500 (12.7)
05	1.218 (30.9)	.437 (11.1)	.625 (15.9)
06	1.343 (34.1)	.562 (14.3)	.750 (19.1)
07	1.468 (37.3)	.687 (17.4)	.875 (22.2)
08	1.593 (40.5)	.812 (20.6)	1.000 (25.4)
10	1.843 (46.8)	1.062 (27.0)	1.250 (31.8)

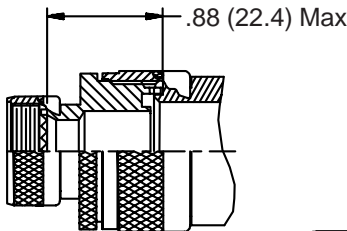
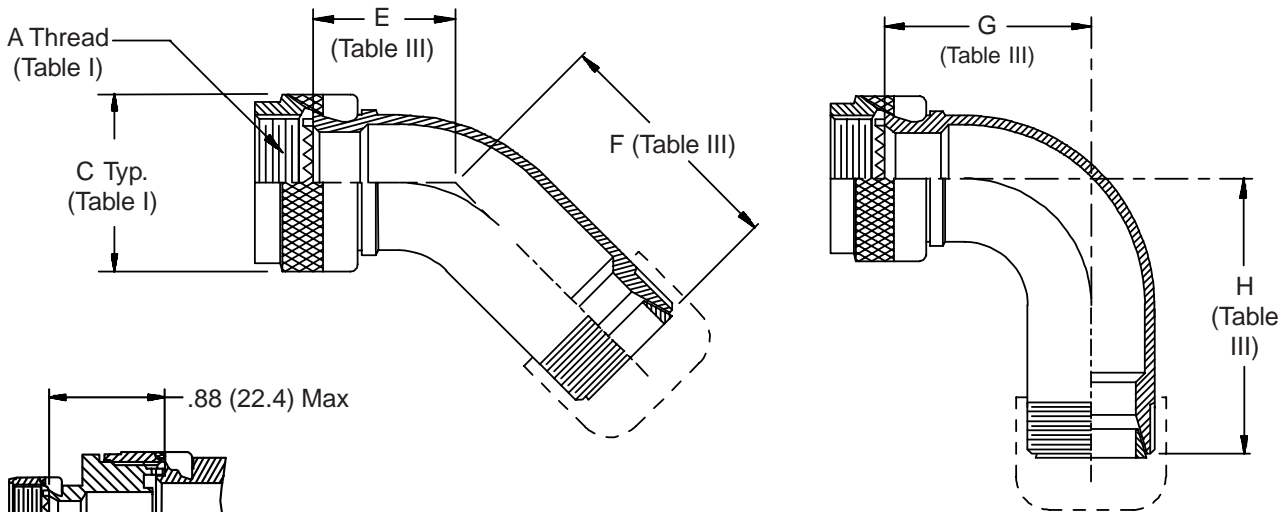
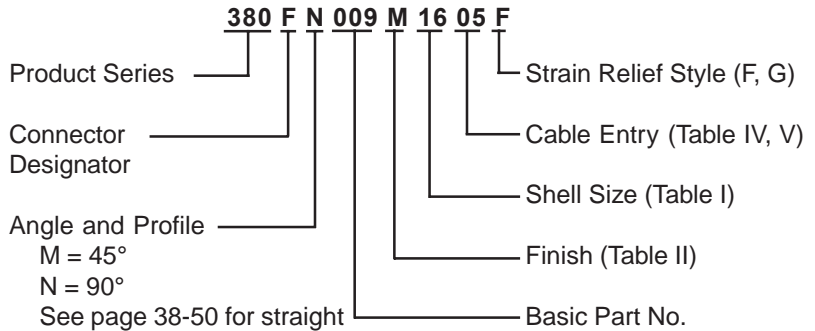
**TABLE V: CABLE ENTRY**

Dash No.	K Max	Cable Entry Max
01	.656 (16.7)	.125 (3.2)
02	.781 (19.8)	.250 (6.4)
03	.906 (23.0)	.375 (9.5)
04	1.031 (26.2)	.500 (12.7)
05	1.156 (29.4)	.625 (15.9)
06	1.281 (32.5)	.750 (19.1)
07	1.406 (35.7)	.875 (22.2)
08	1.531 (38.9)	1.000 (25.4)
09	1.656 (42.1)	1.125 (28.6)
10	1.781 (45.2)	1.250 (31.8)

1. When maximum cable entry (page 21) is exceeded, Style 2 will be supplied. Dimensions E, F, G and H will not apply. Please consult factory.
2. Metric dimensions (mm) are indicated in parentheses.
3. Cable range is defined as the accommodations range for the wire bundle or cable. Dimensions shown are not intended for inspection criteria.
4. Consult factory for shorter lengths on straight backshells.

**CONNECTOR  
DESIGNATORS  
A-F-H-L-S  
ROTATABLE  
COUPLING**

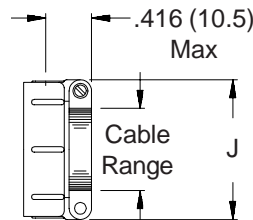
**TYPE D INDIVIDUAL  
OR OVERALL  
SHIELD TERMINATION**



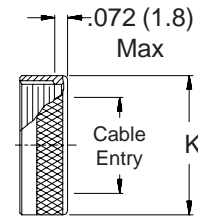
**STYLE 2**  
(See Note 1)

**-445** Now Available with the "NESTOR"  
Glenair's Non-Detent, Spring-Loaded, Self-Locking Coupling.  
Add "-445" to Specify This AS85049 Style "N" Coupling Interface.

**STYLE F**  
Light Duty  
(Table IV)



**STYLE G**  
Light Duty  
(Table V)



**380-009**  
**EMI/RFI Non-Environmental Backshell**  
 with Strain Relief  
 Type D - Rotatable Coupling - Full Radius Profile



See inside back cover fold-out or pages 13 and 14 for unabridged Tables I and II.

**TABLE III: ELBOW DIMENSIONS**

Shell Size		E Max	F Max	G Max	H Max
Conn. Desig. A-F-L-S	H				
08	09	.807 (20.5)	.857 (21.8)	1.125 (28.6)	1.175 (29.8)
10	11	.861 (21.9)	.911 (23.1)	1.250 (31.8)	1.300 (33.0)
12	13	.911 (23.1)	.961 (24.4)	1.375 (34.9)	1.425 (36.2)
14	15	.965 (24.5)	1.015 (25.8)	1.500 (38.1)	1.550 (39.4)
16	17	1.014 (25.8)	1.064 (27.0)	1.625 (41.3)	1.675 (42.5)
18	19	1.064 (27.0)	1.114 (28.3)	1.750 (44.5)	1.800 (45.7)
20	21	1.118 (28.4)	1.168 (29.7)	1.875 (47.6)	1.925 (48.9)
22	23	1.172 (29.8)	1.222 (31.0)	2.000 (50.8)	2.050 (52.1)
24	25	1.221 (31.0)	1.271 (32.3)	2.125 (54.0)	2.175 (55.2)
28		1.325 (33.7)	1.375 (34.9)	2.375 (60.3)	2.425 (61.6)
32		1.428 (36.3)	1.478 (37.5)	2.625 (66.7)	2.675 (67.9)

**TABLE II: STANDARD FINISHES**

GLENAIR SYMBOL	FINISH
B	Cadmium Plate, Olive Drab
M	Electroless Nickel
NF	Cadmium Plate, Olive Drab Over Electroless Nickel

See Inside Back Cover  
for Additional Finish Options

**TABLE IV: CABLE ENTRY**

Dash No.	J Max	Cable Range	
		Min	Max
02	.968 (24.6)	.125 (3.2)	.250 (6.4)
03	1.046 (26.6)	.250 (6.4)	.375 (9.5)
04	1.156 (29.4)	.312 (7.9)	.500 (12.7)
05	1.218 (30.9)	.437 (11.1)	.625 (15.9)
06	1.343 (34.1)	.562 (14.3)	.750 (19.1)
07	1.468 (37.3)	.687 (17.4)	.875 (22.2)
08	1.593 (40.5)	.812 (20.6)	1.000 (25.4)
10	1.843 (46.8)	1.062 (27.0)	1.250 (31.8)

**TABLE V: CABLE ENTRY**

Dash No.	K Max	Cable Entry Max
01	.656 (16.7)	.125 (3.2)
02	.781 (19.8)	.250 (6.4)
03	.906 (23.0)	.375 (9.5)
04	1.031 (26.2)	.500 (12.7)
05	1.156 (29.4)	.625 (15.9)
06	1.281 (32.5)	.750 (19.1)
07	1.406 (35.7)	.875 (22.2)
08	1.531 (38.9)	1.000 (25.4)
09	1.656 (42.1)	1.125 (28.6)
10	1.781 (45.2)	1.250 (31.8)

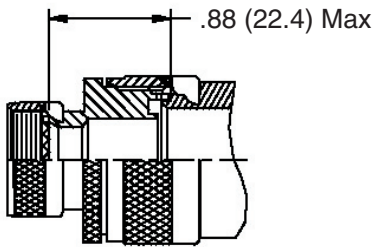
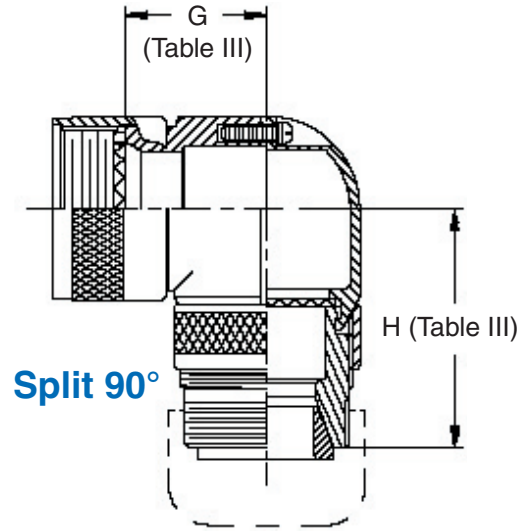
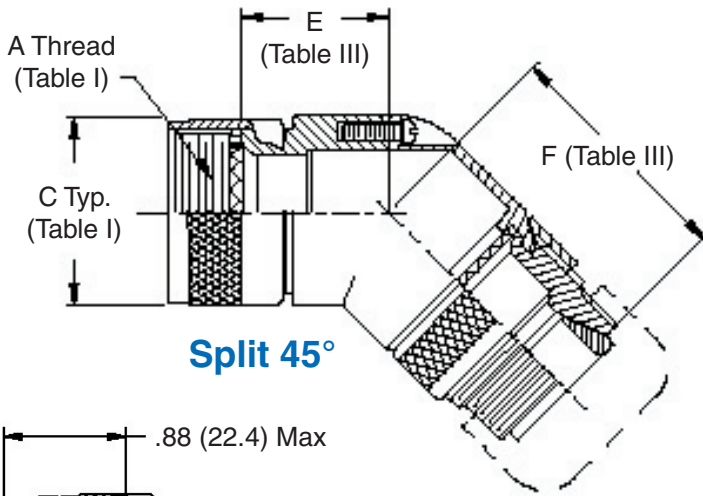
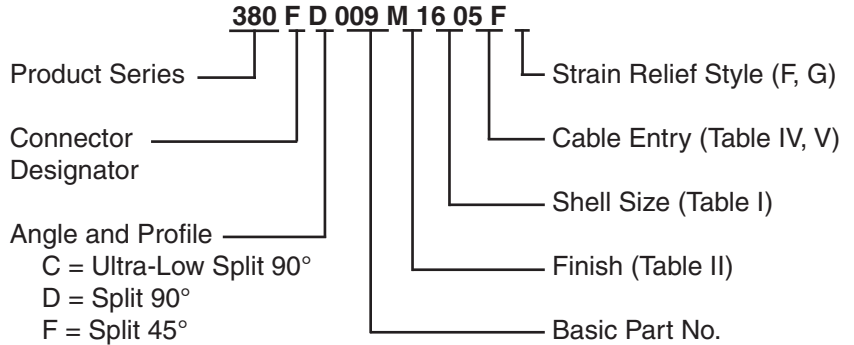
1. Metric dimensions (mm) are indicated in parentheses.
2. Cable range is defined as the accommodations range for the wire bundle or cable. Dimensions shown are not intended for inspection criteria.
3. When maximum cable entry (page 21) is exceeded, Style 2 will be supplied. Dimensions E, F, G and H will not apply. Please consult factory.

**CONNECTOR  
DESIGNATORS**

**A-F-H-L-S**

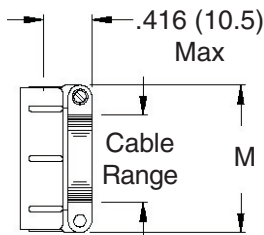
**ROTATABLE  
COUPLING**

**TYPE D INDIVIDUAL  
OR OVERALL  
SHIELD TERMINATION**

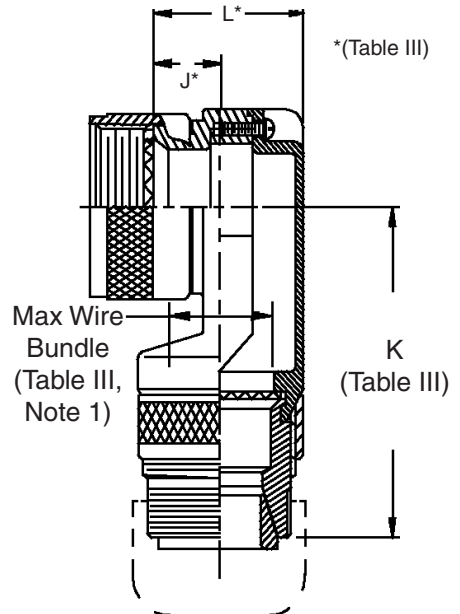
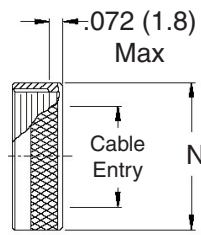


**STYLE 2**  
(See Note 1)

**STYLE F**  
Light Duty  
(Table IV)



**STYLE G**  
Light Duty  
(Table V)



**Ultra Low-Profile  
Split 90°**

See inside back cover fold-out or pages 13 and 14 for Tables I and II.

**TABLE II: STANDARD FINISHES**

GLENAIR	
SYMBOL	FINISH
B	Cadmium Plate, Olive Drab
M	Electroless Nickel
NF	Cadmium Plate, Olive Drab Over Electroless Nickel
See Inside Back Cover for Additional Finish Options	

**TABLE III: DIMENSIONS**

Shell Size	E Max	F Max	G Max	H Max	J Max	K Max	L Max	Function C Max Wire Bundle
08/09	.440 (11.2)	1.730 (43.9)	.680 (17.3)	1.670 (42.4)	.340 (8.6)	1.920 (48.8)	.681 (17.3)	.250 (6.4)
10/11	.500 (12.7)	1.785 (45.3)	.750 (19.1)	1.725 (43.8)	.270 (6.9)	2.080 (52.8)	.731 (18.6)	.375 (9.5)
12/13	.560 (14.2)	1.855 (47.1)	.810 (20.6)	1.795 (45.6)	.270 (6.9)	2.080 (52.8)	.731 (18.6)	.375 (9.5)
14/15	.620 (15.7)	1.887 (47.9)	.870 (22.1)	1.827 (46.4)	.320 (8.1)	2.150 (54.6)	.831 (21.1)	.500 (12.7)
16/17	.680 (17.3)	1.987 (50.5)	.930 (23.6)	1.927 (48.9)	.420 (10.7)	2.200 (55.9)	.981 (24.9)	.625 (15.9)
18/19	.750 (19.1)	2.045 (51.9)	1.000 (25.4)	1.985 (50.4)	.640 (16.3)	2.230 (56.6)	1.181 (30.0)	.625 (15.9)
20/21	.820 (20.8)	2.106 (53.5)	1.060 (26.9)	2.046 (52.0)	.640 (16.3)	2.230 (56.6)	1.181 (30.0)	.625 (15.9)
22/23	.880 (22.4)	2.167 (55.0)	1.120 (28.4)	2.107 (53.5)	.540 (13.7)	2.380 (60.5)	1.181 (30.0)	.750 (19.1)
24/25	.940 (23.9)	2.225 (56.5)	1.180 (30.0)	2.165 (55.0)	.540 (13.7)	2.380 (60.5)	1.181 (30.0)	.750 (19.1)

**TABLE IV: CABLE ENTRY**

Dash No.	M Max	Cable Range	
		Min	Max
02	.968 (24.6)	.125 (3.2)	.250 (6.4)
03	1.046 (26.6)	.250 (6.4)	.375 (9.5)
04	1.156 (29.4)	.312 (7.9)	.500 (12.7)
05	1.218 (30.9)	.437 (11.1)	.625 (15.9)
06	1.343 (34.1)	.562 (14.3)	.750 (19.1)
07	1.468 (37.3)	.687 (17.4)	.875 (22.2)
08	1.593 (40.5)	.812 (20.6)	1.000 (25.4)
10	1.843 (46.8)	1.062 (27.0)	1.250 (31.8)

**TABLE V: CABLE ENTRY**

Dash No.	N Max	Cable Entry Max
02	.781 (19.8)	.250 (6.4)
03	.906 (23.0)	.375 (9.5)
04	1.031 (26.2)	.500 (12.7)
05	1.156 (29.4)	.625 (15.9)
06	1.281 (32.5)	.750 (19.1)
07	1.406 (35.7)	.875 (22.2)
08	1.531 (38.9)	1.000 (25.4)
09	1.656 (42.1)	1.125 (28.6)
10	1.781 (45.2)	1.250 (31.8)

1. When maximum cable entry (page 21) is exceeded (not available in Symbol C), Style 2 will be supplied. Dimensions E, F, G and H will not apply. Please consult factory.
2. Metric dimensions (mm) are indicated in parentheses.
3. Cable range is defined as the accommodations range for the wire bundle or cable. Dimensions shown are not intended for inspection criteria.
4. Angular function "C", low-profile split elbow, not available with "S" connector designator.