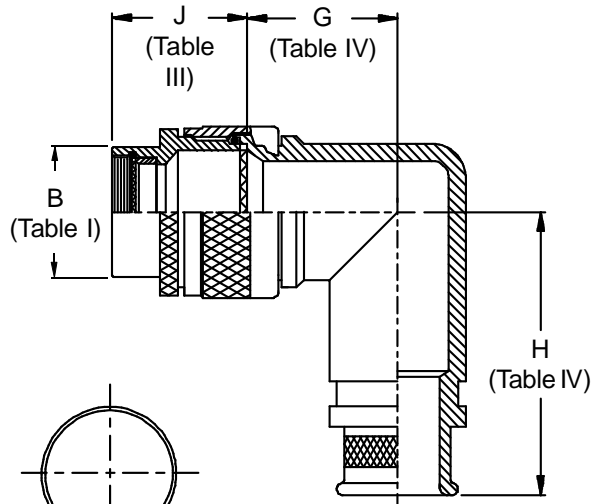
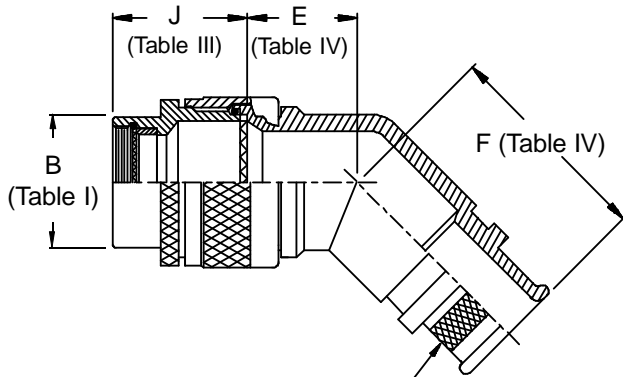
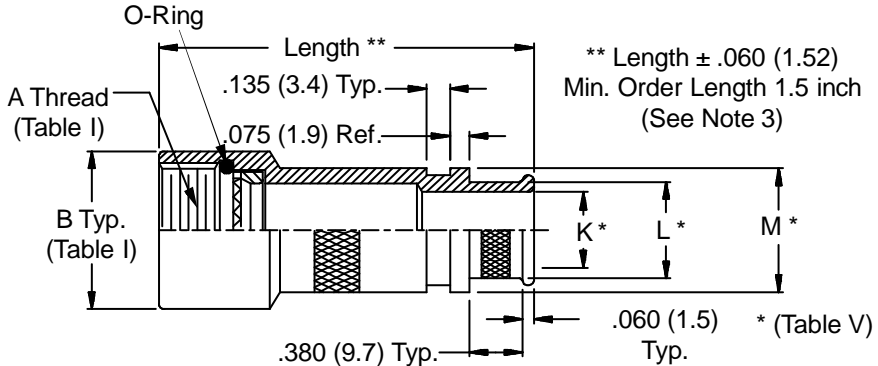
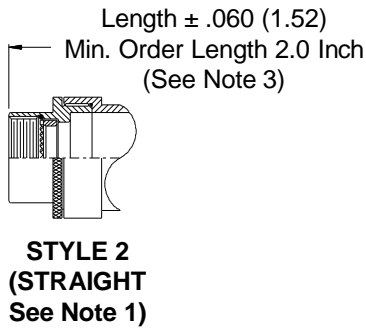
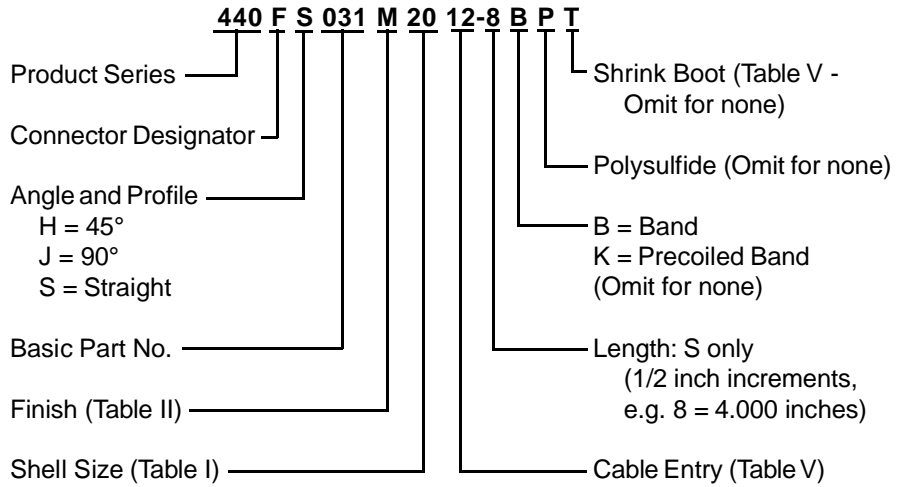


**CONNECTOR DESIGNATORS**  
**A-B\*-C-D-E-F**  
**G-H-J-K-L-S**  
 \* Conn. Desig. B See Note 5  
**DIRECT COUPLING**



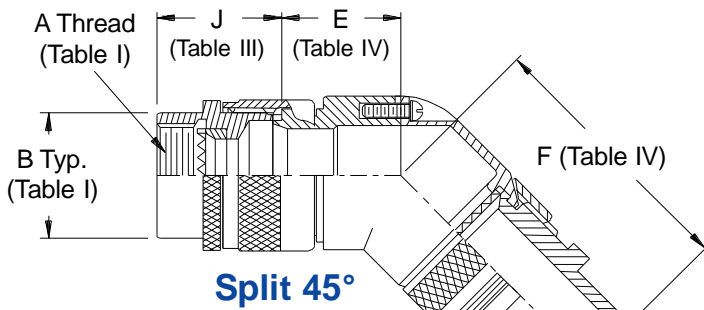
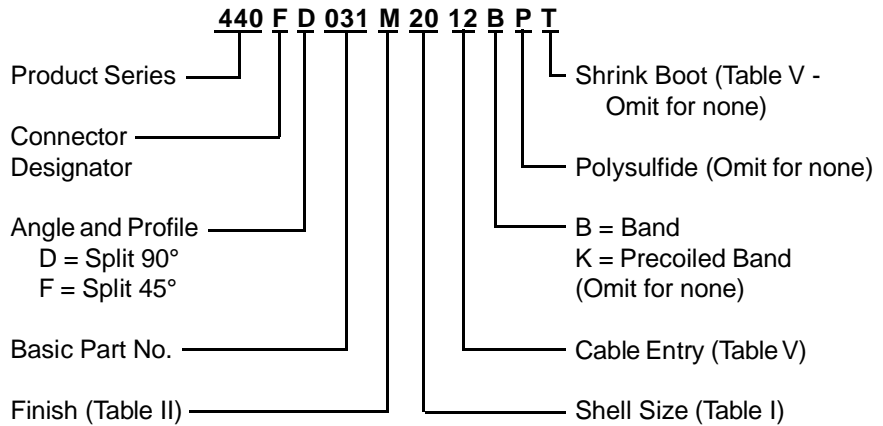
Termination Area Free of Cadmium. Knurl or Ridges Mfr's Option

Polysulfide Stripes  
 P Option

Band Option  
 (K Option Shown - See Note 6)

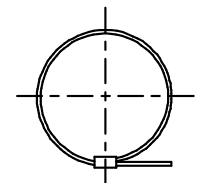


**CONNECTOR  
DESIGNATORS  
A-B\*-C-D-E-F  
G-H-J-K-L-S**  
\* Conn. Desig. B See Note 3  
**DIRECT COUPLING**

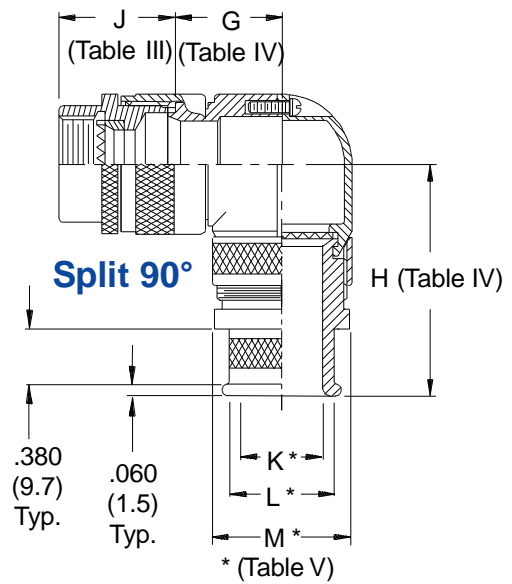


Termination Area Free of Cadmium. Knurl or Ridges Mfr's Option

Polysulfide Stripes  
P Option



Band Option  
(K Option Shown - See Note 4)



**440-031**  
**EMI/RFI Banding and Shrink Boot Adapter**  
**Direct Coupling - Split Shell**



See inside back cover fold-out or pages 13 and 14 for Tables I and II.

TABLE III: FRONT ADAPTER			
Shell Size	J Max - Conn. Designator		
	A-E-F		
	J-H-L-S	D-B-G-K	C
08/09	1.180 (30.0)	1.250 (31.8)	
10/11	1.180 (30.0)	1.250 (31.8)	
12/13	1.180 (30.0)	1.250 (31.8)	1.735 (44.1)
14/15	1.180 (30.0)	1.250 (31.8)	1.915 (48.6)
16/17	1.380 (35.0)	1.560 (39.6)	1.915 (48.6)
18/19	1.380 (35.0)	1.560 (39.6)	1.915 (48.6)
20/21	1.380 (35.0)	1.560 (39.6)	1.915 (48.6)
22/23	1.380 (35.0)	1.560 (39.6)	1.915 (48.6)
24/25	1.380 (35.0)	1.560 (39.6)	1.915 (48.6)
28/29	1.610 (40.9)	1.560 (39.6)	1.915 (48.6)
32/33	1.610 (40.9)	1.750 (44.5)	1.915 (48.6)
36	1.610 (40.9)	1.750 (44.5)	1.915 (48.6)
40	1.610 (40.9)	2.190 (55.6)	1.915 (48.6)

TABLE IV: ELBOW DIMENSIONS					
Dash No.	E Max	F Max	G Max	H Max	
01	.440 (11.2)	1.635 (41.5)	.680 (17.3)	1.575 (40.0)	
02	.440 (11.2)	1.635 (41.5)	.680 (17.3)	1.575 (40.0)	
03	.440 (11.2)	1.635 (41.5)	.680 (17.3)	1.575 (40.0)	
04	.440 (11.2)	1.635 (41.5)	.680 (17.3)	1.575 (40.0)	
05	.500 (12.7)	1.695 (43.1)	.750 (19.1)	1.635 (41.5)	
06	.500 (12.7)	1.695 (43.1)	.750 (19.1)	1.635 (41.5)	
07	.560 (14.2)	1.765 (44.8)	.810 (20.6)	1.705 (43.3)	
08	.560 (14.2)	1.765 (44.8)	.810 (20.6)	1.705 (43.3)	
09	.620 (15.7)	1.795 (45.6)	.870 (22.1)	1.735 (44.1)	
10	.680 (17.3)	1.895 (48.1)	.930 (23.6)	1.835 (46.6)	
11	.680 (17.3)	1.895 (48.1)	.930 (23.6)	1.835 (46.6)	
12	.750 (19.1)	1.955 (49.7)	1.000 (25.4)	1.895 (48.1)	
13	.820 (20.8)	2.015 (51.2)	1.060 (26.9)	1.955 (49.7)	
14	.820 (20.8)	2.015 (51.2)	1.060 (26.9)	1.955 (49.7)	
15	.880 (22.4)	2.075 (52.7)	1.120 (28.4)	2.015 (51.2)	
16	.880 (22.4)	2.075 (52.7)	1.120 (28.4)	2.015 (51.2)	

TABLE V: CABLE ENTRY						
Dash No.	K		L		M	Shrink Boot *
01	.125 (3.2)	.250 (6.4)	.312 (7.9)			n/a
31	.188 (4.8)	.312 (7.9)	.374 (9.5)			202K121-25-0
02	.250 (6.4)	.375 (9.5)	.437 (11.1)			202K121-25-0
32	.312 (7.9)	.438 (11.1)	.500 (12.7)			202K121-25-0
03	.375 (9.5)	.500 (12.7)	.562 (14.3)			202K121-25-0
33	.438 (11.1)	.562 (14.3)	.624 (15.8)			202K132-25-0
04	.500 (12.7)	.625 (15.9)	.687 (17.4)			202K132-25-0
34	.562 (14.3)	.688 (17.5)	.750 (19.1)			202K132-25-0
05	.625 (15.9)	.750 (19.1)	.812 (20.6)			202K132-25-0
35	.688 (17.5)	.812 (20.6)	.874 (22.2)			202K142-25-0
06	.750 (19.1)	.875 (22.2)	.937 (23.8)			202K142-25-0
36	.812 (20.6)	.938 (23.8)	1.000 (25.4)			202K153-25-0
07	.875 (22.2)	1.000 (25.4)	1.062 (27.0)			202K153-25-0
37	.938 (23.8)	1.062 (27.0)	1.124 (28.5)			202K153-25-0
08	1.000 (25.4)	1.125 (28.6)	1.187 (30.1)			202K153-25-0
38	1.062 (27.0)	1.188 (30.2)	1.250 (31.8)			202K163-25-0
09	1.125 (28.6)	1.250 (31.8)	1.312 (33.3)			202K163-25-0
10	1.250 (31.8)	1.375 (34.9)	1.437 (36.5)			202K163-25-0
11	1.375 (34.9)	1.500 (38.1)	1.562 (39.7)			202K174-25-0
12	1.500 (38.1)	1.625 (41.3)	1.687 (42.8)			202K174-25-0
13	1.625 (41.3)	1.750 (44.5)	1.812 (46.0)			202K174-25-0
14	1.750 (44.5)	1.875 (47.6)	1.937 (49.2)			202K185-25-0
15	1.875 (47.6)	2.000 (50.8)	2.062 (52.4)			202K185-25-0
16	2.000 (50.8)	2.125 (54.0)	2.187 (55.5)			202K185-25-0

\* Raychem Shrink Boot Supplied with "T" Option  
(see Part Number Development)

1. Metric dimensions (mm) are indicated in parentheses.
2. See page 40 for Shrink Boot Reference Information.
3. When using Connector Designator B refer to pages 18 and 19 for part number development.
4. Backshells supplied with 600-052-\* band, see Glenair Series 600 Tool Catalog for installation.