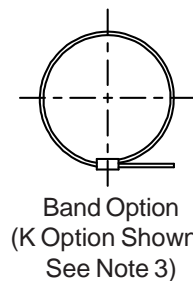
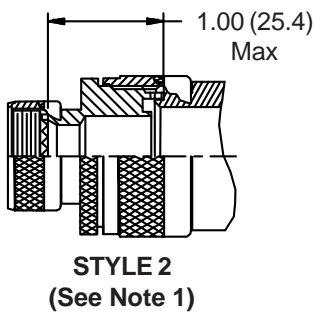
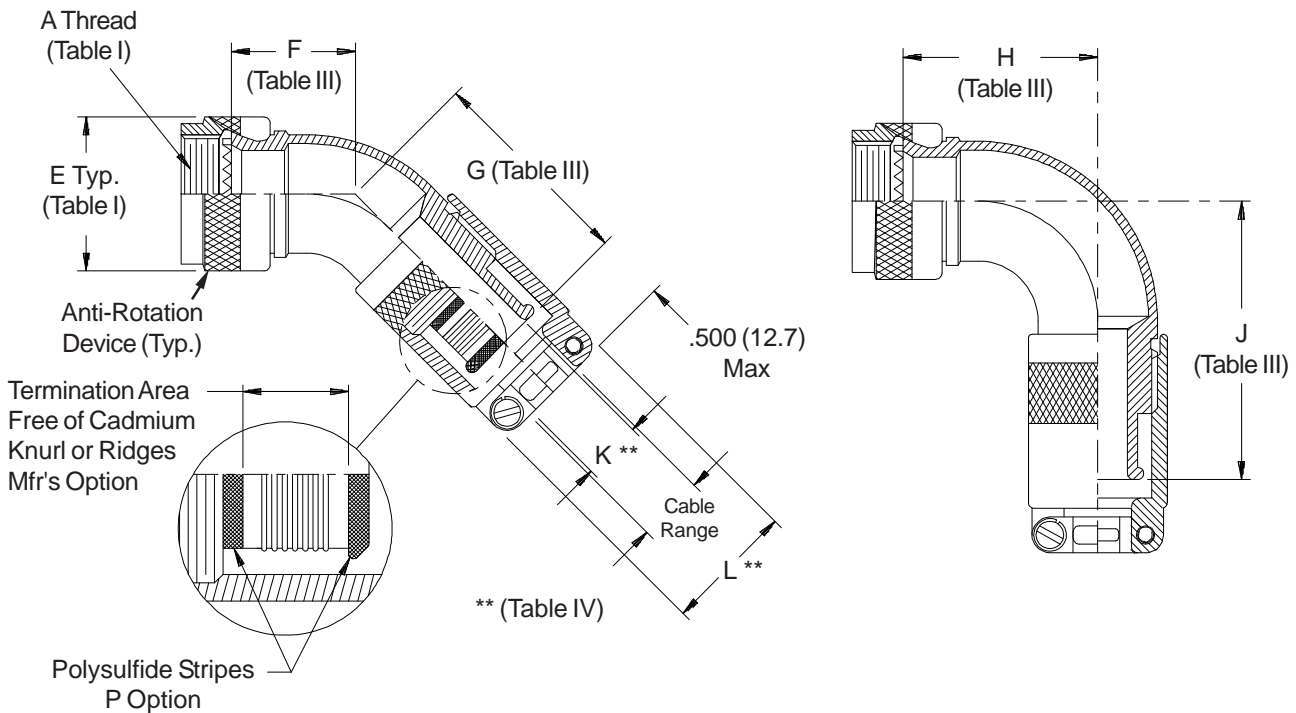
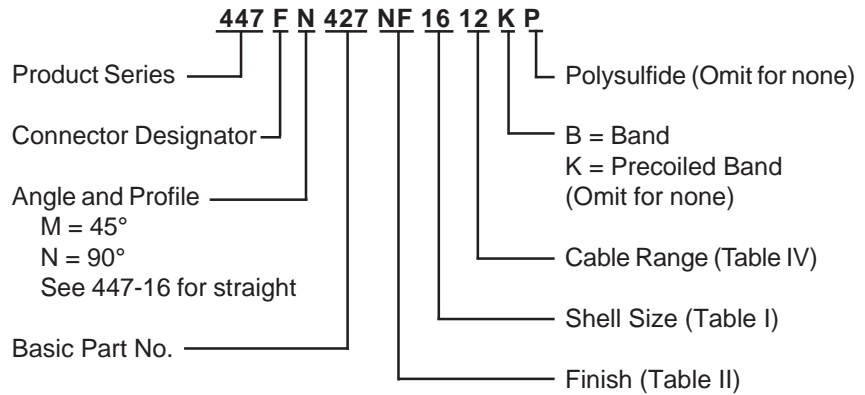


**CONNECTOR
DESIGNATORS
A-F-H-L-S
SELF-LOCKING
ROTATABLE
COUPLING**



See inside back cover fold-out or pages 13 and 14 for Tables I and II.

TABLE III: ELBOW DIMENSIONS									
Shell Size		F		G		H		J	
Conn. Desig.	H	Max		Max		Max		Max	
A-F-L-S									
08	09	.973	(24.7)	1.057	(26.8)	1.281	(32.5)	1.375	(34.9)
10	11	1.017	(25.8)	1.111	(28.2)	1.406	(35.7)	1.500	(38.1)
12	13	1.067	(27.1)	1.161	(29.5)	1.531	(38.9)	1.625	(41.3)
14	15	1.121	(28.5)	1.215	(30.9)	1.656	(42.1)	1.750	(44.5)
16	17	1.170	(29.7)	1.264	(32.1)	1.781	(45.2)	1.875	(47.6)
18	19	1.220	(31.0)	1.314	(33.4)	1.906	(48.4)	2.000	(50.8)
20	21	1.274	(32.4)	1.368	(34.7)	2.031	(51.6)	2.125	(54.0)
22	23	1.328	(33.7)	1.422	(36.1)	2.156	(54.8)	2.250	(57.2)
24	25	1.377	(35.0)	1.471	(37.4)	2.281	(57.9)	2.375	(60.3)

TABLE IV: CABLE RANGE							
Dash No.	K		L		Cable Range		
	±.030	±(.8)	Max		Min	Max	
10	.220	(5.6)	1.000	(25.4)	.130	(3.3)	.250 (6.4)
12	.310	(7.9)	1.250	(31.8)	.250	(6.4)	.380 (9.7)
14	.440	(11.2)	1.340	(34.0)	.310	(7.9)	.440 (11.2)
16	.560	(14.2)	1.470	(37.3)	.375	(9.5)	.630 (16.0)
18	.630	(16.0)	1.560	(39.6)	.560	(14.2)	.690 (17.5)
20	.750	(19.1)	1.620	(41.1)	.630	(16.0)	.750 (19.1)
22	.880	(22.4)	1.750	(44.5)	.750	(19.1)	.880 (22.4)
24	1.000	(25.4)	1.870	(47.5)	.880	(22.4)	1.000 (25.4)
28	1.060	(26.9)	1.970	(50.0)	1.000	(25.4)	1.130 (28.7)
32	1.190	(30.2)	2.090	(53.1)	1.130	(28.7)	1.250 (31.8)

1. When maximum cable entry (page 21) is exceeded, Style 2 will be supplied. Dimensions F, G, H and J will not apply. Please consult factory.
2. Metric dimensions (mm) are indicated in parentheses.
3. Backshells supplied with 600-052-* band, see Glenair Series 600 Tool Catalog for installation.