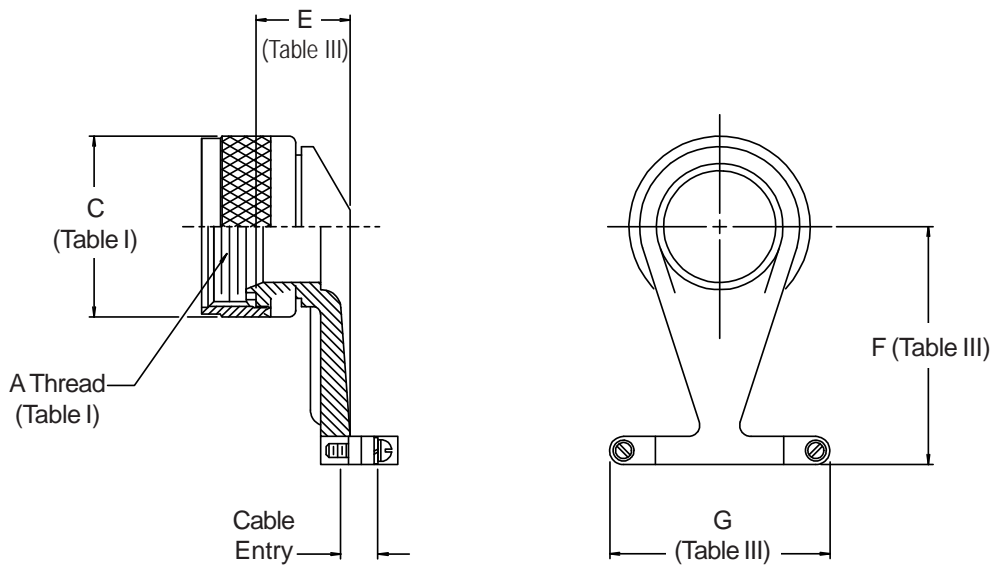
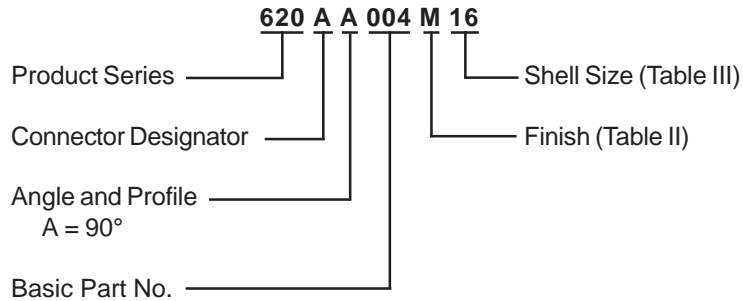


**620-004**  
**Backshell Accessory - 90° Strain Relief**  
**Rotatable Coupling**



**CONNECTOR**  
**DESIGNATOR**  
**A-F-L-H-S**  
**ROTATABLE**  
**COUPLING**



**TABLE III: CABLE ENTRY**

Shell Size Conn. Desig.		E Max	F Nom	G Nom	H Cable Entry	
A,F,L	H				Closed	Open
08	09	.450 (11.4)	.780 (19.8)	.750 (19.1)	.125 (3.2)	.250 (6.4)
10	11	.450 (11.4)	.890 (22.6)	.750 (19.1)	.156 (3.7)	.375 (9.5)
12	13	.450 (11.4)	1.030 (26.2)	.937 (23.8)	.188 (4.8)	.437 (11.1)
14	15	.450 (11.4)	1.220 (31.0)	1.015 (25.8)	.218 (5.5)	.562 (14.3)
16	17	.450 (11.4)	1.280 (32.5)	1.125 (28.6)	.250 (6.4)	.625 (15.9)
18	19	.480 (12.2)	1.370 (34.8)	1.188 (30.2)	.312 (7.9)	.750 (19.1)
20	21	.480 (12.2)	1.560 (39.6)	1.312 (33.3)	.375 (9.5)	.875 (22.2)
22	23	.480 (12.2)	1.750 (44.5)	1.437 (36.5)	.406 (10.3)	.937 (23.8)
24	25	.480 (12.2)	1.810 (46.0)	1.562 (39.7)	.562 (14.3)	1.000 (25.4)

1. Cable Entry is defined as the accommodation entry for the wire bundle or cable. Dimensions are not intended for inspection criteria.
2. Metric dimensions (mm) are indicated in parentheses.