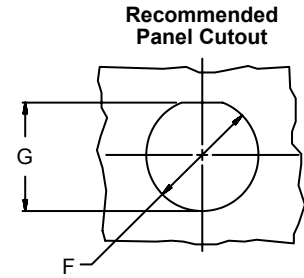
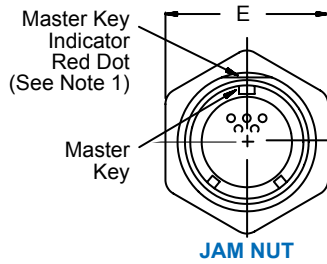
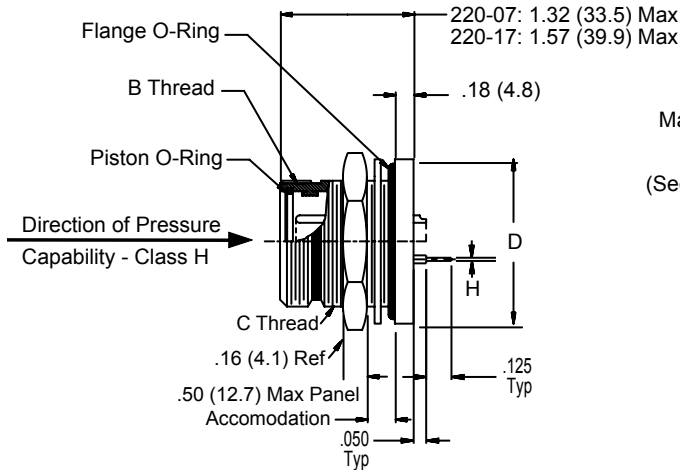
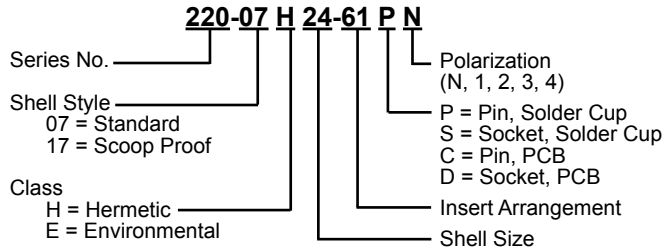


# 220-07 and 220-17 Receptacle Assemblies Rear Mounted Jam Nut Box Mount



**Prior to use, lubricate O-Rings with high grade silicone lubricant (Moly-Kote M55 or equivalent).**

### DIMENSIONS

| SHELL SIZE | B THREAD CLASS 2A | C THREAD CLASS 2A | D DIA       | E FLATS      | F DIA ±.005 ±(0.1) | G ±.005 ±(0.1) | CONTACT SIZE | H DIA                    |
|------------|-------------------|-------------------|-------------|--------------|--------------------|----------------|--------------|--------------------------|
| 10         | .750 - .1P - .1L  | 7/8 - 20 UNEF     | 1.25 (31.8) | 1.125 (28.6) | .885 (22.5)        | .835 (21.2)    | 12           | .095/.093 (2.413/2.362)  |
| 12         | .875 - .1P - .1L  | 1 - 20 UNEF       | 1.38 (35.1) | 1.250 (31.8) | 1.010 (25.7)       | .960 (24.4)    |              |                          |
| 14         | 1.000 - .1P - .1L | 1 1/8 - 16 UN     | 1.50 (38.1) | 1.500 (38.1) | 1.135 (28.8)       | 1.085 (27.6)   | 16           | .0635/.061 (1.613/1.549) |
| 16         | 1.125 - .1P - .1L | 1 1/4 - 16 UN     | 1.63 (41.4) | 1.625 (41.3) | 1.260 (32.0)       | 1.210 (30.7)   |              |                          |
| 18         | 1.250 - .1P - .1L | 1 3/8 - 16 UN     | 1.75 (44.5) | 1.750 (44.5) | 1.385 (35.2)       | 1.335 (33.9)   | 20           | .028/.024 (0.711/0.610)  |
| 20         | 1.375 - .1P - .1L | 1 1/2 - 16 UN     | 1.88 (47.8) | 1.875 (47.6) | 1.510 (38.4)       | 1.460 (37.1)   |              |                          |
| 22         | 1.500 - .1P - .1L | 1 5/8 - 16 UN     | 2.00 (50.8) | 2.000 (50.8) | 1.635 (41.5)       | 1.585 (40.3)   | 22           | .021/.018 (0.533/0.457)  |
| 24         | 1.625 - .1P - .1L | 1 3/4 - 16 UN     | 2.12 (53.8) | 2.125 (54.0) | 1.760 (44.7)       | 1.710 (43.4)   |              |                          |

### RECOMMENDED JAM NUT INSTALLATION TORQUE VALUES

| SHELL SIZE | TORQUE ± 5% |               |
|------------|-------------|---------------|
|            | INCH-POUNDS | NEWTON-METERS |
| 10         | 95          | 10.73         |
| 12         | 110         | 12.43         |
| 14         | 140         | 15.82         |
| 16         | 170         | 19.21         |
| 18         | 195         | 22.03         |
| 20         | 215         | 24.29         |
| 22         | 235         | 26.55         |
| 24         | 260         | 29.38         |

**NOTE 1:** Flat and master key indicator rotates with master key per position noted on Page 6.

### REPLACEMENT O-RING PART NUMBERS \*

| SHELL SIZE | PISTON O-RING | FLANGE O-RING |
|------------|---------------|---------------|
| 10         | 2-014         | 2-021         |
| 12         | 2-016         | 2-023         |
| 14         | 2-018         | 2-025         |
| 16         | 2-020         | 2-027         |
| 18         | 2-022         | 2-029         |
| 20         | 2-024         | 2-030         |
| 22         | 2-026         | 2-031         |
| 24         | 2-028         | 2-032         |

\* Parker O-ring part numbers. Compound N674-70 or equivalent.

Metric dimensions (mm) are indicated in parentheses.