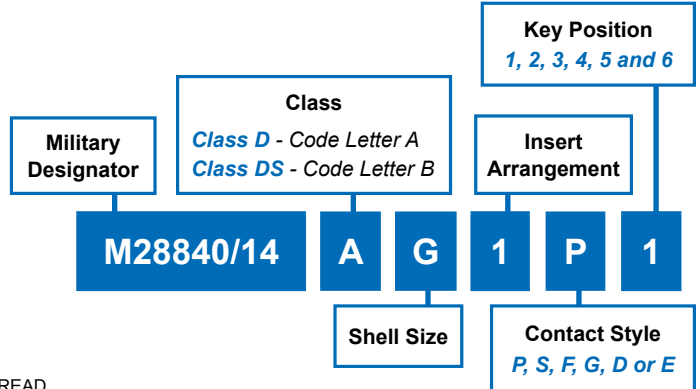
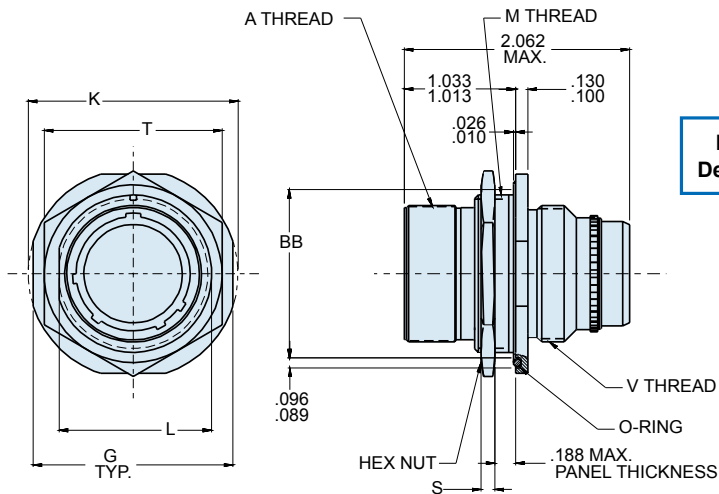


M28840/14 Jam Nut Mount Receptacle Connector



MIL-DTL-
28840



B

| Designator | G | K | L Across Flat | M Thread Class 2A | N Max. | P | R Max. | S Hex Nut Thick- ness |
|------------|--------------------------------|--------------------------------|--------------------------------|-------------------------|------------------|--------------------------------|------------------|--------------------------------|
| A (11) | 1.274 (32.36) 1.254 (31.85) | 1.368 (34.75) 1.348 (34.24) | .841 (21.36) .832 (21.13) | 7/8-20 UNEF | .750 (19.05) | .890 (22.61) .880 (22.35) | .875 (22.22) | .125 (3.17) |
| B (13) | 1.399 (35.53) 1.379 (35.03) | 1.508 (38.30) 1.488 (37.80) | .966 (24.54) .957 (24.31) | 1-20 UNEF | .875 (22.22) | 1.015 (24.78) 1.005 (25.53) | 1.000 (25.40) | |
| C (15) | 1.587 (40.31) 1.567 (39.80) | 1.681 (42.70) 1.661 (42.19) | 1.156 (29.29) 1.144 (29.06) | 1 3/16-18 UNEF | 1.062 (26.97) | 1.203 (30.56) 1.193 (30.30) | 1.188 (30.18) | |
| D (17) | 1.649 (41.88) 1.629 (41.38) | 1.743 (44.27) 1.723 (43.76) | 1.216 (30.89) 1.207 (30.66) | 1 1/4-18 UNEF | 1.125 (28.58) | 1.265 (32.13) 1.255 (31.88) | 1.250 (31.75) | |
| E (19) | 1.837 (46.66) 1.817 (46.15) | 1.931 (49.05) 1.911 (48.54) | 1.403 (35.64) 1.394 (35.41) | 1 7/16-18 UNEF | 1.312 (33.32) | 1.453 (36.91) 1.443 (36.65) | 1.438 (36.52) | |
| F (23) | 2.024 (51.41) 2.004 (50.90) | 2.118 (53.80) 2.098 (53.29) | 1.591 (40.41) 1.582 (40.18) | 1 5/8-18 UNEF | 1.500 (38.10) | 1.640 (41.66) 1.630 (41.40) | 1.625 (41.28) | |
| G (25) | 2.149 (54.58) 2.129 (54.08) | 2.243 (56.97) 2.223 (56.46) | 1.716 (43.59) 1.707 (43.36) | 1 3/4-18 UNS | 1.625 (41.28) | 1.765 (44.83) 1.755 (44.58) | 1.750 (44.45) | .189 (4.8) |
| H (29) | 2.337 (59.36) 2.317 (58.85) | 2.435 (61.85) 2.415 (61.34) | 1.903 (46.34) 1.894 (48.11) | 1 15/16-16 UN | 1.812 (46.02) | 1.953 (49.61) 1.943 (49.35) | 1.938 (49.22) | |
| J (33) | 2.524 (64.11) 2.504 (63.60) | 2.618 (66.50) 2.598 (65.99) | 2.091 (53.11) 2.082 (52.88) | 2 1/8-16 UN | 2.000 (50.80) | 2.140 (54.36) 2.130 (54.10) | 2.125 (53.98) | |