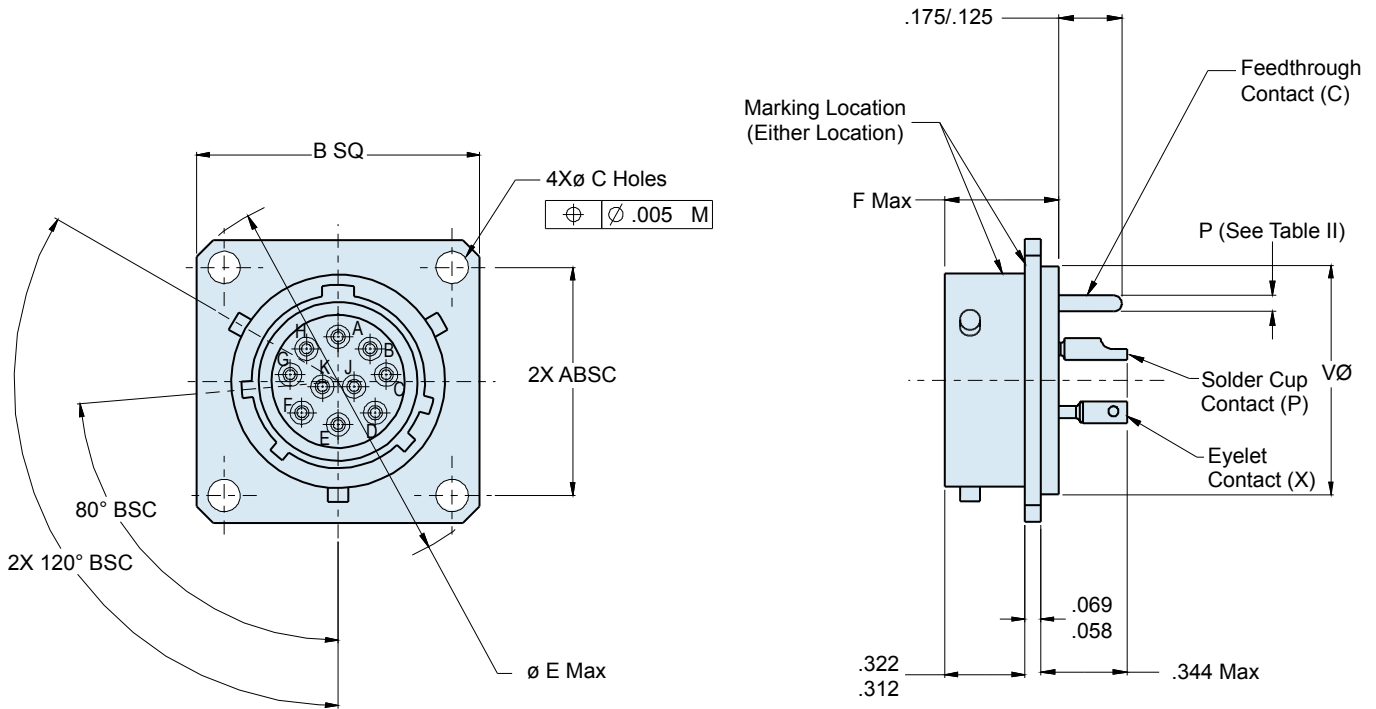
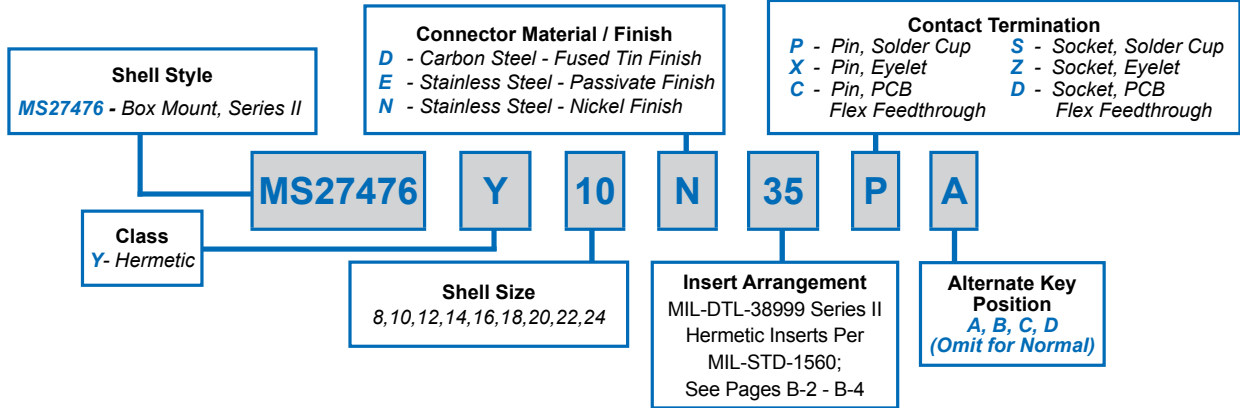


How To Order: MS

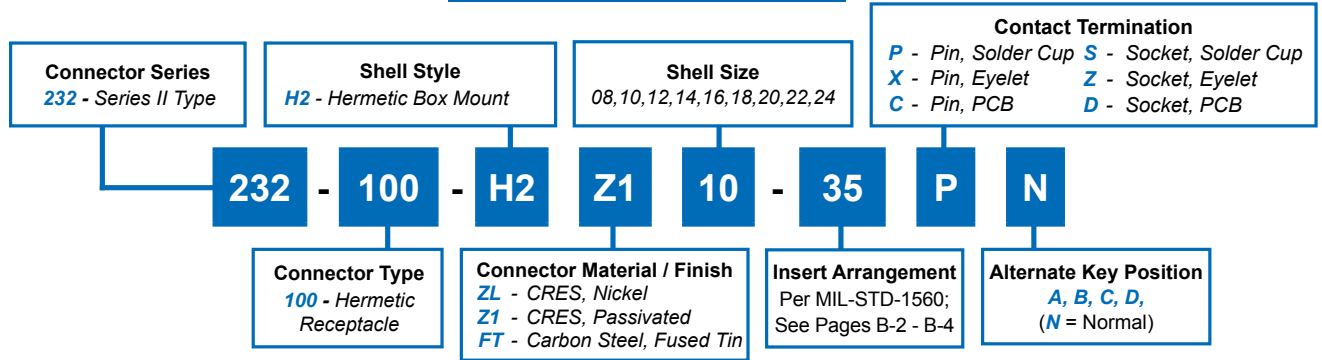


232-100-H2 Box Mount Hermetic Receptacle MIL-DTL-38999 Series II Type



MIL-DTL
38999 Type

How To Order: Commercial



B

TABLE I: CONNECTOR DIMENSIONS

SHELL SIZE	A BSC	B SQ MAX	Ø C HOLES	Ø E MAX	F MAX	V Diameter	
8/08	.594(15.1)	.828(21.0)	.130(3.3) .115(2.9)	1.078(27.4)	.453(11.5)	.562(14.3)	
10	.719(18.3)	.954(24.2)		1.266(32.2)		.672(17.1)	
12	.812(20.6)	1.047(26.6)		1.391(35.3)		.781(19.8)	
14	.906(23.0)	1.141(29.0)		1.516(38.5)		.906(23.0)	
16	.969(24.6)	1.234(31.3)		1.641(41.7)		1.031(26.2)	
18	1.062(27.0)	1.328(33.7)		1.766(44.9)		1.156(29.4)	
20	1.156(29.4)	1.453(36.9)		1.891(48.0)		1.250(31.8)	
22	1.250(31.8)	1.578(40.1)		2.016(51.2)		1.375(34.9)	
24	1.375(34.9)	1.703(43.3)		.157(4.0)		.484(12.3)	1.500(38.1)
				.142(3.6)			

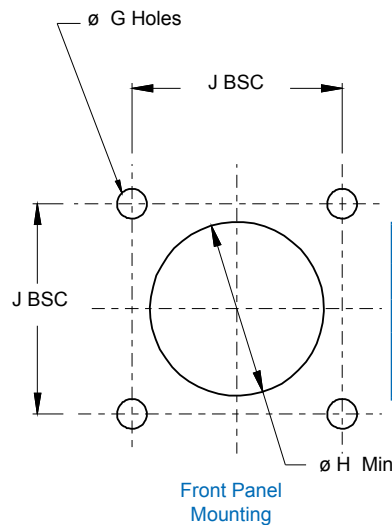
TABLE II: CONTACT SIZE

PRINTED CIRCUIT TAIL CONFIGURATIONS
CONTACT STYLE C AND D

Contact Size	Ø P
22D	.011 (0.28) .015 (0.38)
20	.024 (0.61) .028 (0.71)
16	.0635 (1.61) .0615 (1.56)
12	.095 (2.41) .093 (2.36)

TABLE I (CONTINUED):
CONNECTOR DIMENSIONS

SHELL SIZE	Ø G HOLES	Ø H MIN	Ø J BSC	
8/08	.133(3.4) .123(3.1)	.570(14.5)	.594(15.1)	
10		.690(17.5)	.719(18.3)	
12		.820(20.8)	.812(20.6)	
14		.940(23.9)	.906(23.0)	
16		1.070(27.2)	.969(24.6)	
18		1.190(30.2)	1.062(27.0)	
20		1.320(33.5)	1.156(29.4)	
22		.159(4.0)	1.440(36.6)	1.250(31.8)
24		.149(3.8)	1.570(39.9)	1.375(34.9)



HERMETIC LEAK RATE MOD CODES

Designator	Required Leak Rate
-585A	1 x 10 ⁻¹⁰ cc's Helium per second
-585B	1 x 10 ⁻⁹ cc's Helium per second
-585C	1 x 10 ⁻⁸ cc's Helium per second

WIRE ACCOMODATION

Contact Size	Wire Gauge
22D	#22 - #28
20	#20 - #24
16	#16 - #20
12	#12 - #14