

*Add Modification Code 131 for Dry Lubricant on inside surfaces of Coupling Nut.
 May not be suitable for space applications.

**Intermateable with the following
connectors:**

40M38277; PAN 6433-1;
 PATT 614;
 NFC C93-422 (HE309)

TABLE I

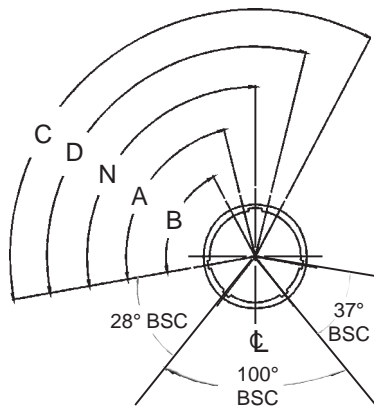
Shell Size	A Max	B Max
08	.474 (12.0)	.750 (19.1)
10	.591 (15.0)	.859 (21.8)
12	.751 (19.1)	1.031 (26.2)
14	.875 (22.2)	1.156 (29.4)
16	1.001 (25.4)	1.281 (32.5)
18	1.126 (28.6)	1.406 (35.7)
20	1.251 (31.8)	1.531 (38.9)
22	1.376 (35.0)	1.656 (42.1)
24	1.501 (38.1)	1.777 (45.1)

Metric Dimensions (mm) are indicated in parentheses.

Sav-Con® Connector Savers
MIL-DTL-38999 Series II



Sav-Con®
Connector
Savers



FACE VIEW
RECEPTACLE

MASTER KEY POSITION				
NORMAL	A°	B°	C°	D°
100°	79°	66°	134°	121°

Insert Arrangements									
Shell Size Desig	Insert Arrangement Dash No.	Contact Size: Quantity				Alternate Keyway Positions			
		22	20	16	12	A°	B°	C°	D°
8	8-3		3						
	8-35	6							
	8-97	2	2			82	-	-	118
	8-98		3						
10	10-5		5						
	10-35	13							
	10-98		6			86	72	128	114
	10-99		7						
12	12-3			3					
	12-4			4					
	12-8		8			80	68	132	120
	12-35	22							
14	12-98		10						
	14-5			5					
	14-15		14	1					
	14-18		18						
16	14-19		19			79	66	134	121
	14-35	37							
	14-97		8	4					
	16-6				6				
18	16-8			8					
	16-26		26						
	16-42	42				82	70	130	118
	16-35	55							
20	16-99		21	2					
	18-11			11					
	18-28		26	2					
	18-30		29	1					
22	18-32		32			82	70	130	118
	18-35	66							
	18-45	67							
	18-96				9				
24	20-16			16					
	20-24		24						
	20-25		25						
	20-35	79							
22	20-39		37	2					
	20-41		41						
	22-21			21					
	22-32		32						
24	22-34		34						
	22-35	100							
	22-36		36			85	74	126	115
	22-53		53						
24	22-55		55						
	22-97			16					
	22-99			11					
	24-4		48	8					
24	24-19				19				
	24-24			12	12	85	74	125	115
	24-29			29					
	24-35	128							
24	24-61		61						