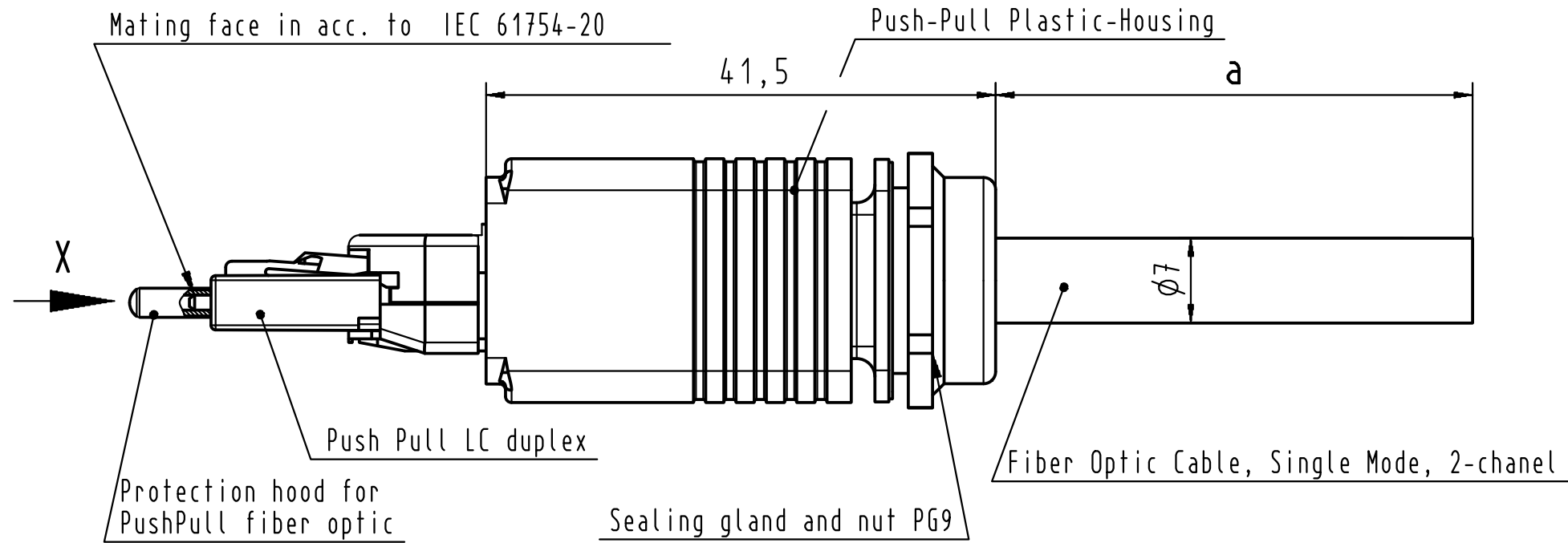
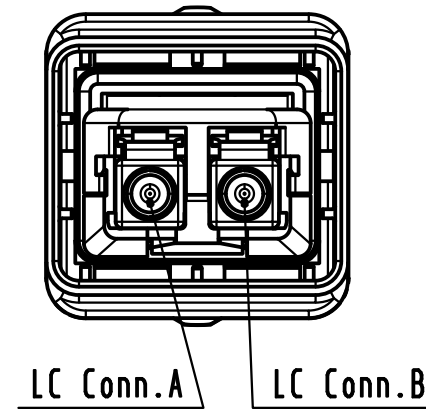
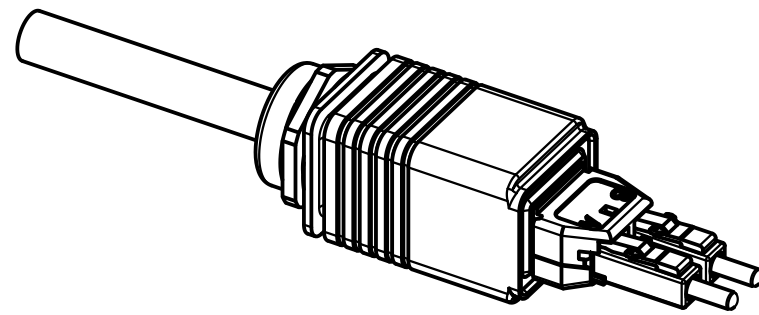
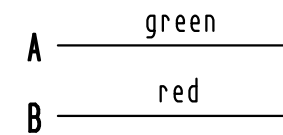


Alle Rechte vorbehalten/ All rights reserved



X
(without protection hood)

Loading-Plan



For Information Only
-won't be replaced when changed-

-Protection level: IP67/65
-Temperature range: -40°C ...+70°C

9	High strength fiber optic breakout cable Single Mode	33 58 111 300 0002	300 m
8	High strength fiber optic breakout cable Single Mode	33 58 111 100 0002	100 m
7	High strength fiber optic breakout cable Single Mode	33 58 111 060 0002	60 m
6	High strength fiber optic breakout cable Single Mode	33 58 111 050 0002	50 m
5	High strength fiber optic breakout cable Single Mode	33 58 111 040 0002	40 m
4	High strength fiber optic breakout cable Single Mode	33 58 111 020 0002	20 m
3	High strength fiber optic breakout cable Single Mode	33 58 111 010 0002	10 m
2	High strength fiber optic breakout cable Single Mode	33 58 111 005 0002	5 m
1	High strength fiber optic breakout cable Single Mode	33 58 111 001 0002	1 m

Cont No.	Type of cable	Part-No.	Dim. a
----------	---------------	----------	--------

	All Dimensions in mm Original Size DIN A 3			Techn. Character.			Nicht tolerierte Maßel/Free size tolerances	
							2:1	Push Pull fiber optic assembly 1xPush Pull LC DUPLEX, plastic Single Mode
35601	17.02.09	MR						TB 33 58 111 xxx 0002
35590	13.01.09	MR						
35014								
Mod.	Dat.	Name	HARTING Electronics GmbH & Co. KG D-32339 ESPELKAMP					Blatt/ page Sub. Sub