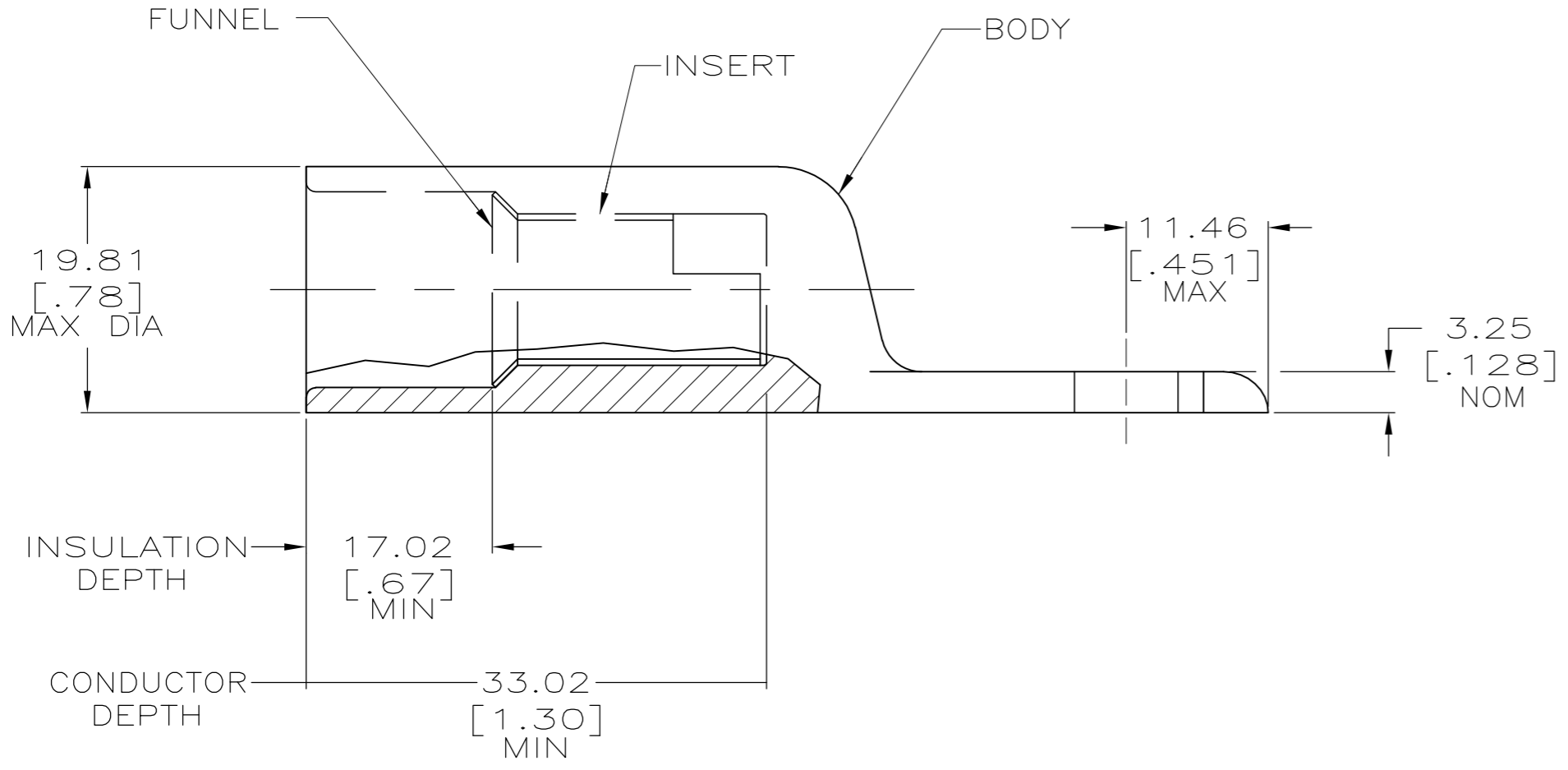
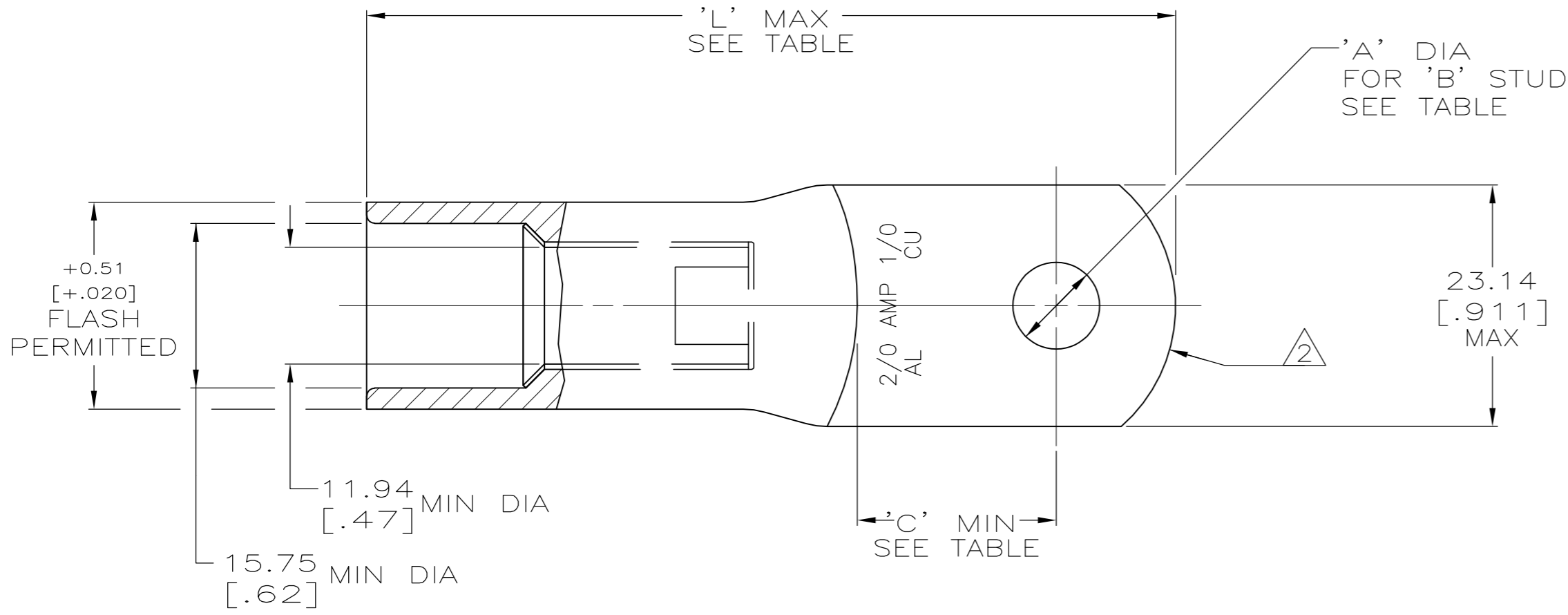


THIS DRAWING IS UNPUBLISHED. RELEASED FOR PUBLICATION  
 © COPYRIGHT BY TYCO ELECTRONICS CORPORATION. ALL RIGHTS RESERVED.

LOC	DIST	REVISIONS			
P	LTR	DESCRIPTION	DATE	DWN	APVD
G	86	J	REV PER ECR 08-005023	27FEB08	JR MS

1 WIRE INSULATION: 12.70[.500] - 13.97[.550] DIA

△ THE TONGUE RADIUS FEATURE IS NOT A TOOLING CONTROLLED DIMENSION AND MAY NOT BE A TRUE RADIUS.



WEIGHT	'A'	'B'	'L'	'C'	MATERIAL & FINISH	PART NO.
78.0 <sup>±5</sup> GRAMS	13.08 <sup>±0.13</sup> [.515 <sup>±0.005</sup> ]	1/2	77.47 [3.05]	18.03 [.71]	BODY: COPPER ASTM-B187 ANNEALED TIN PL PER MIL-T-10727 0.00381[.000150] MIN THK	277152-5
81 <sup>±5</sup> GRAMS	9.91 <sup>±0.13</sup> [.390 <sup>±0.005</sup> ]	3/8			INSERT & FUNNEL: BRASS ASTM B36	277152-4
80 <sup>±5</sup> GRAMS	8.33 <sup>±0.13</sup> [.328 <sup>±0.005</sup> ]	5/16			NICKEL PL SAE AMS QQ-N-290A, DATED JULY 2000, 0.00254 [.000100] MIN THK	277152-3
76.3 <sup>±5</sup> GRAMS	9.91 <sup>±0.13</sup> [.390 <sup>±0.005</sup> ]	3/8	71.37 [2.81]	11.94 [.47]		277152-2
-	6.73 <sup>±0.13</sup> [.265 <sup>±0.005</sup> ]	1/4				277152-1

THIS DRAWING IS A CONTROLLED DOCUMENT.

DWN	DK SCHRUM	6/23/89	Tyco Electronics Corporation Harrisburg, PA 17105-3608
CHK	MS FEHER	10/16/90	
APVD	AJ KAUFMAN	10/20/90	
PRODUCT SPEC	108-11011		
APPLICATION SPEC	114-2134		NAME WIRE TERMINAL, RING TONGUE, SEALED COPALUM 71.3mm2 [2/0] ALUMINUM 53.9mm2 [1/0] COPPER
MATERIAL	SEE TABLE	FINISH	SEE TABLE
WEIGHT	SEE TABLE	SCALE	2:1
CUSTOMER DRAWING		SHEET	1 of 1