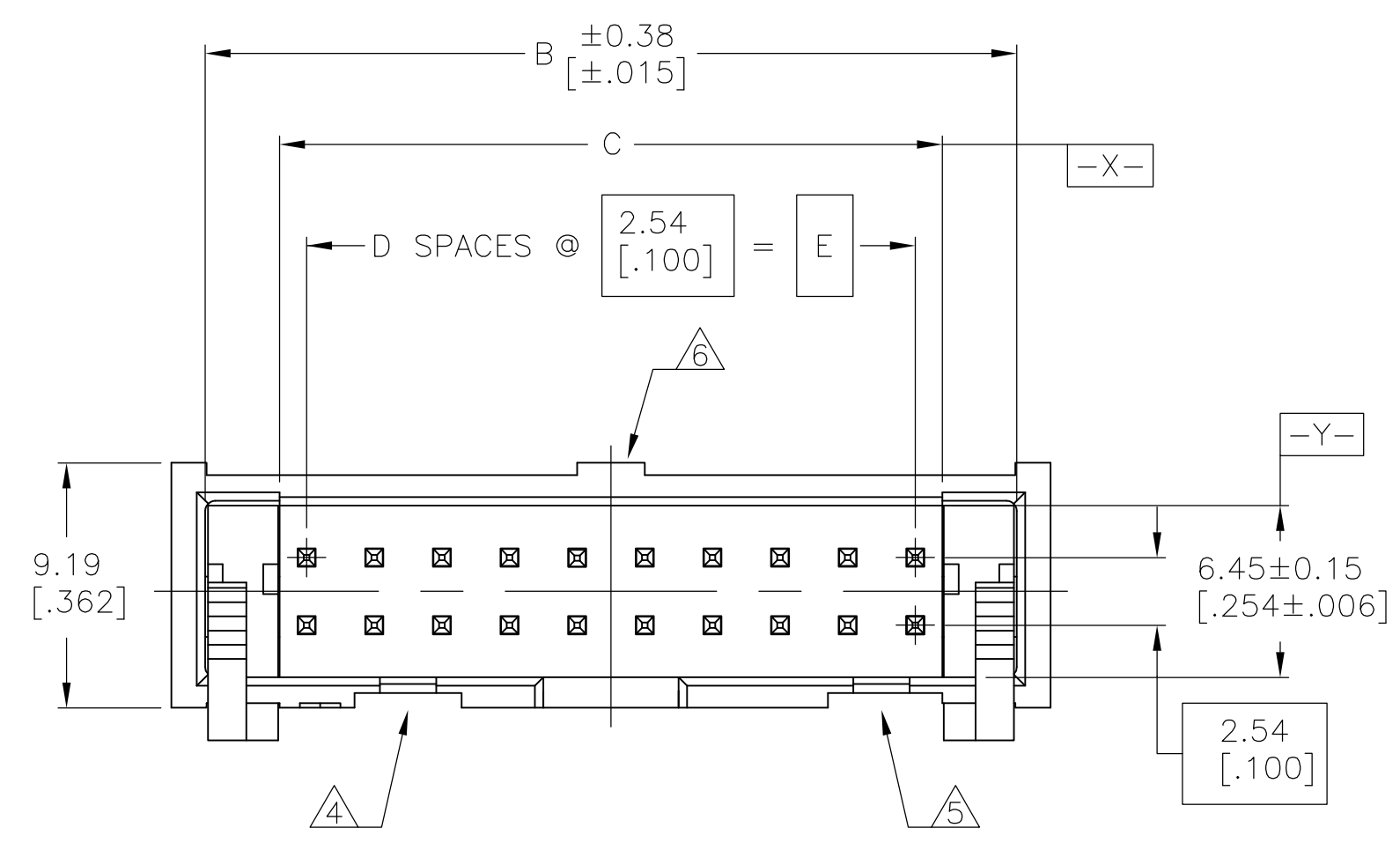
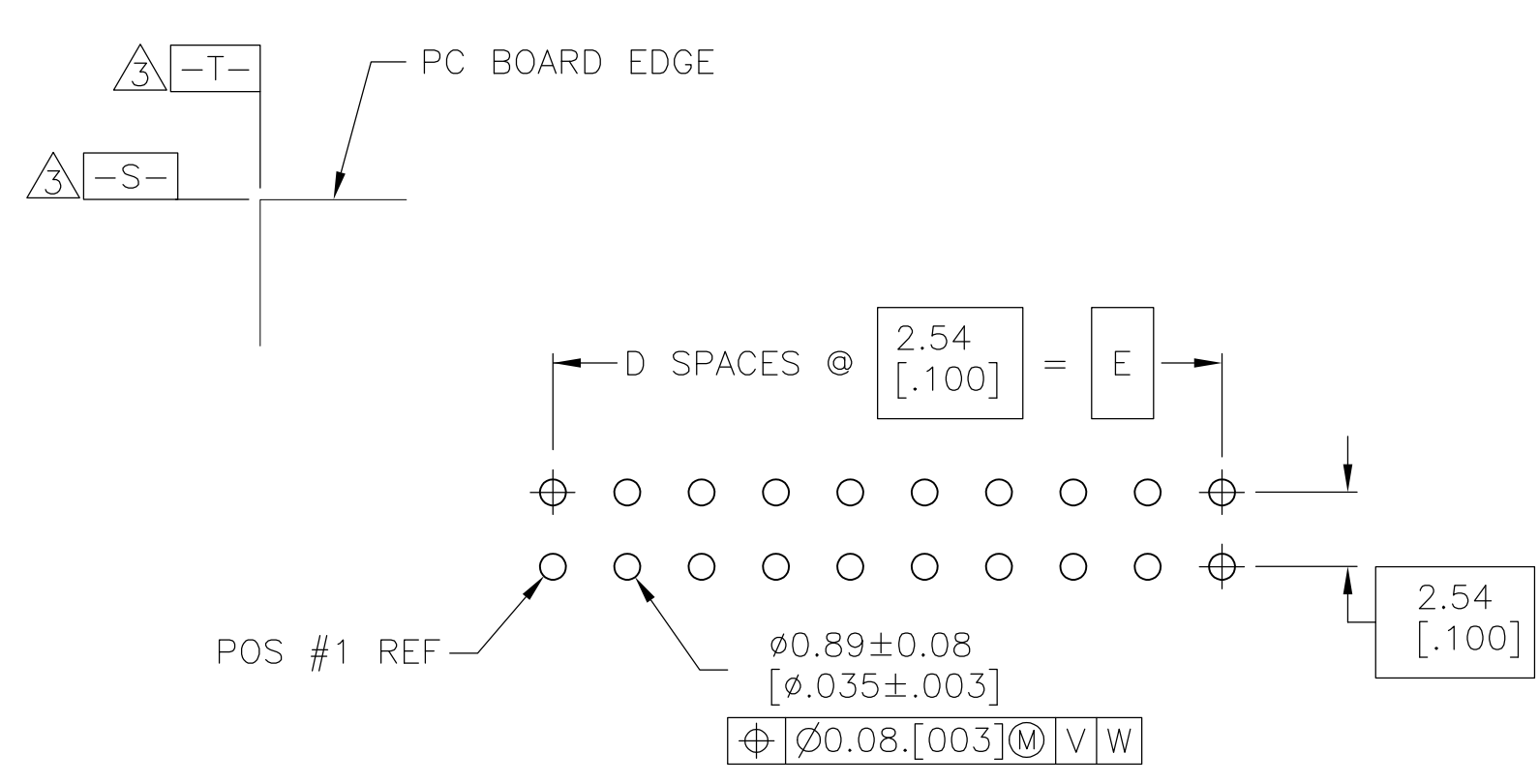
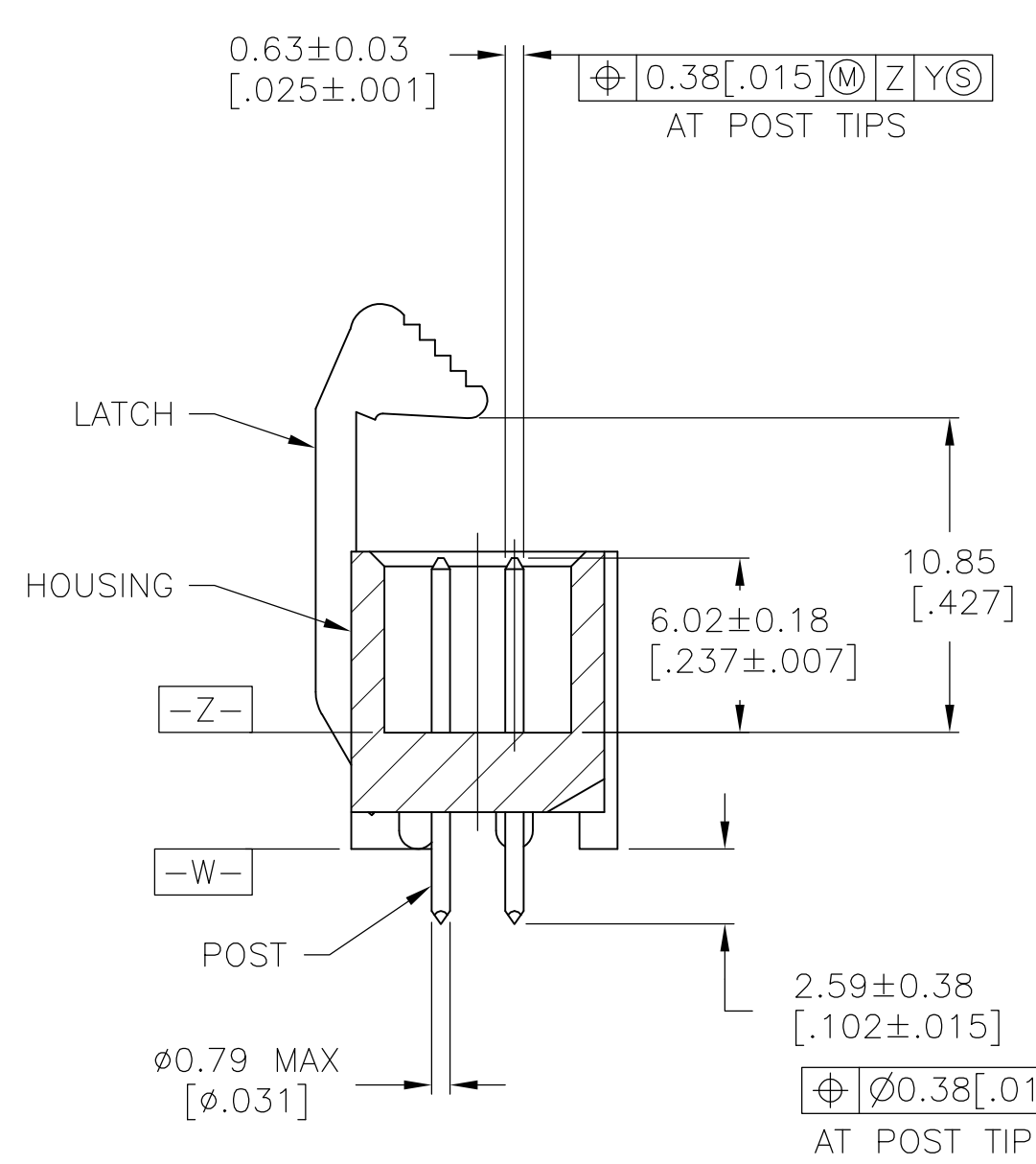
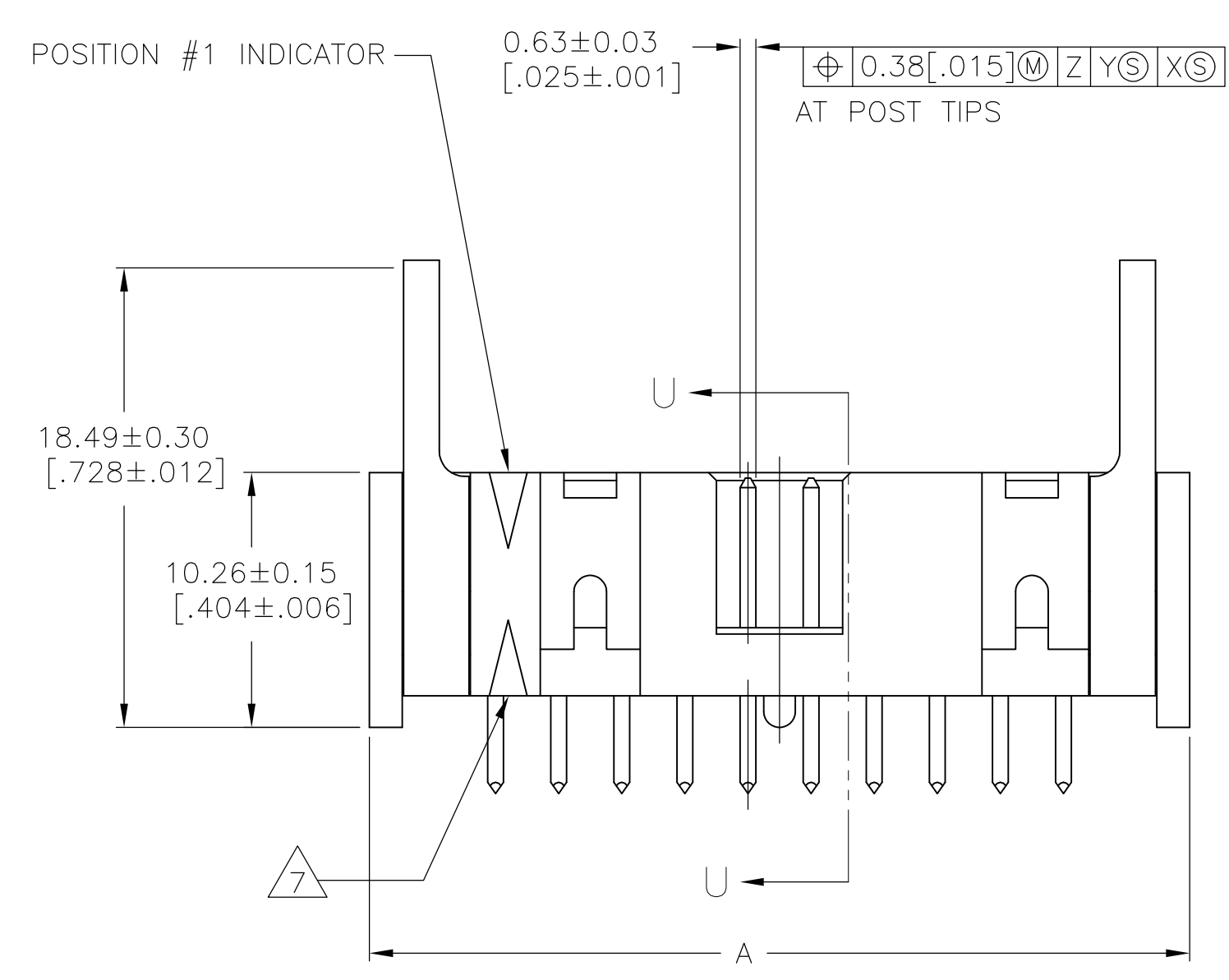


| LOC | | DIST | | REVISIONS | | | | |
|-----|-------------|---------------|---------|-------------|------|----|------|--|
| GP | 00 | REV | DATE | DESCRIPTION | DATE | BY | APPV | |
| F1 | REVISED PER | ECO-11-004835 | 11MAR11 | | | RK | HMR | |



- ① HOUSING: PBT, UL94V-0, COLOR: (SEE TABLE).
POSTS: PHOSPHOR BRONZE.
LATCHES: ZINC ALLOY.
- ② POSTS: GOLD FLASH OVER PALLADIUM-NICKEL PLATE, 0.76µm[.000030] MIN TOTAL ON MATING AREA, 2.54µm[.000100] MIN TIN PLATE ON SOLDER-TAIL, ALL OVER 1.27µm[.000050] MIN NICKEL UNDERPLATE ON ENTIRE POST.
OR
0.76µm[.000030] MIN GOLD PLATE ON MATING AREA, 2.54µm[.000100] MIN TIN PLATE ON THE SOLDER-TAIL, 1.27µm[.000050] MIN NICKEL UNDERPLATE ON THE ENTIRE POST.
LATCHES: BLACK NICKEL OVER COPPER.
- ③ DATUMS S & T TO BE ESTABLISHED BY CUSTOMER.
- ④ NO KEYING SLOT ON THIS END FOR 6, 8, 10 & 14 POSITION ASSEMBLIES.
- ⑤ NO KEYING SLOT ON THIS END FOR 6, 8 & 10 POSITION ASSEMBLIES.
- ⑥ NO STANDOFF FOR 6, 10, 14 & 16 POSITION ASSEMBLIES.
- ⑦ ALTERNATE LOCATION/ORIENTATION FOR POSITION #1 INDICATOR.



RECOMMENDED PC BOARD LAYOUT (VIEWED FROM CONNECTOR SIDE)

| HOUSING COLOR | E | D | C | B | A | NO OF POS | PART NUMBER | |
|---------------|---------------|---------------|---------------|---------------|---------------|---------------|-------------|-------------|
| OBSOLETE | 78.74 [3.100] | 31 | 80.77 [3.180] | 86.26 [3.396] | 88.90 [3.500] | 64 | 3-1761608-7 | |
| | 73.66 [2.900] | 29 | 75.69 [2.980] | 81.18 [3.196] | 83.82 [3.300] | 60 | 3-1761608-6 | |
| | 60.96 [2.400] | 24 | 62.99 [2.480] | 68.48 [2.696] | 71.12 [2.800] | 50 | 3-1761608-5 | |
| | 53.34 [2.100] | 21 | 55.37 [2.180] | 60.86 [2.396] | 63.50 [2.500] | 44 | 3-1761608-4 | |
| | 48.26 [1.900] | 19 | 50.29 [1.980] | 55.78 [2.196] | 58.42 [2.300] | 40 | 3-1761608-3 | |
| | 43.18 [1.700] | 17 | 45.21 [1.780] | 50.70 [1.996] | 53.34 [2.100] | 36 | 3-1761608-2 | |
| | 40.64 [1.600] | 16 | 42.67 [1.680] | 48.16 [1.896] | 50.80 [2.000] | 34 | 3-1761608-1 | |
| | 35.56 [1.400] | 14 | 37.59 [1.480] | 43.08 [1.696] | 45.72 [1.800] | 30 | 3-1761608-0 | |
| | BLUE | 30.48 [1.200] | 12 | 32.51 [1.280] | 38.00 [1.496] | 40.64 [1.600] | 26 | 2-1761608-9 |
| | | 27.94 [1.100] | 11 | 29.97 [1.180] | 35.46 [1.396] | 38.10 [1.500] | 24 | 2-1761608-8 |
| 22.86 [0.900] | | 9 | 24.89 [0.980] | 30.38 [1.196] | 33.02 [1.300] | 20 | 2-1761608-7 | |
| 17.78 [0.700] | | 7 | 19.81 [0.780] | 25.30 [0.996] | 27.94 [1.100] | 16 | 2-1761608-6 | |
| 15.24 [0.600] | | 6 | 17.27 [0.680] | 22.76 [0.896] | 25.40 [1.000] | 14 | 2-1761608-5 | |
| 10.16 [0.400] | | 4 | 12.19 [0.480] | 17.68 [0.696] | 20.32 [0.800] | 10 | 2-1761608-3 | |
| OBSOLETE | | 7.62 [0.300] | 3 | 9.65 [0.380] | 15.14 [0.596] | 17.78 [0.700] | 8 | 2-1761608-2 |
| | | 5.08 [0.200] | 2 | 7.11 [0.280] | 12.60 [0.496] | 15.24 [0.600] | 6 | 2-1761608-1 |
| | | 73.66 [2.900] | 29 | 75.69 [2.980] | 81.18 [3.196] | 83.82 [3.300] | 60 | 1-1761608-6 |
| | | 60.96 [2.400] | 24 | 62.99 [2.480] | 68.48 [2.696] | 71.12 [2.800] | 50 | 1-1761608-5 |
| | 48.26 [1.900] | 19 | 50.29 [1.980] | 55.78 [2.196] | 58.42 [2.300] | 40 | 1-1761608-3 | |
| | 40.64 [1.600] | 16 | 42.67 [1.680] | 48.16 [1.896] | 50.80 [2.000] | 34 | 1-1761608-1 | |
| | 35.56 [1.400] | 14 | 37.59 [1.480] | 43.08 [1.696] | 45.72 [1.800] | 30 | 1-1761608-0 | |
| | OBSOLETE | 30.48 [1.200] | 12 | 32.51 [1.280] | 38.00 [1.496] | 40.64 [1.600] | 26 | 1761608-9 |
| | | 27.94 [1.100] | 11 | 29.97 [1.180] | 35.46 [1.396] | 38.10 [1.500] | 24 | 1761608-8 |
| | | 22.86 [0.900] | 9 | 24.89 [0.980] | 30.38 [1.196] | 33.02 [1.300] | 20 | 1761608-7 |
| 17.78 [0.700] | | 7 | 19.81 [0.780] | 25.30 [0.996] | 27.94 [1.100] | 16 | 1761608-6 | |
| 15.24 [0.600] | | 6 | 17.27 [0.680] | 22.76 [0.896] | 25.40 [1.000] | 14 | 1761608-5 | |
| 10.16 [0.400] | | 4 | 12.19 [0.480] | 17.68 [0.696] | 20.32 [0.800] | 10 | 1761608-3 | |

THIS DRAWING IS A CONTROLLED DOCUMENT.

APPROVED BY: B. CRISAMORE/DJI, S. BOLASH, M. WALMSLEY

DATE: 30JUN05, 30JUN05, 30JUN05

NAME: M. WALMSLEY

PRODUCT SPEC: HEADER ASSEMBLY, SHORT EJECT LATCH, VERTICAL, LOW PROFILE, IDC

APPLICATION SPEC: ---

SIZE: A1, CASE CODE: 00779, DRAWING NO: 1761608

RESTRICTED TO: ---

MATERIAL: ---, FINISH: ---, WEIGHT: ---, SCALE: 4:1, SHEET: 1 OF 1, REV: F1

CUSTOMER DRAWING