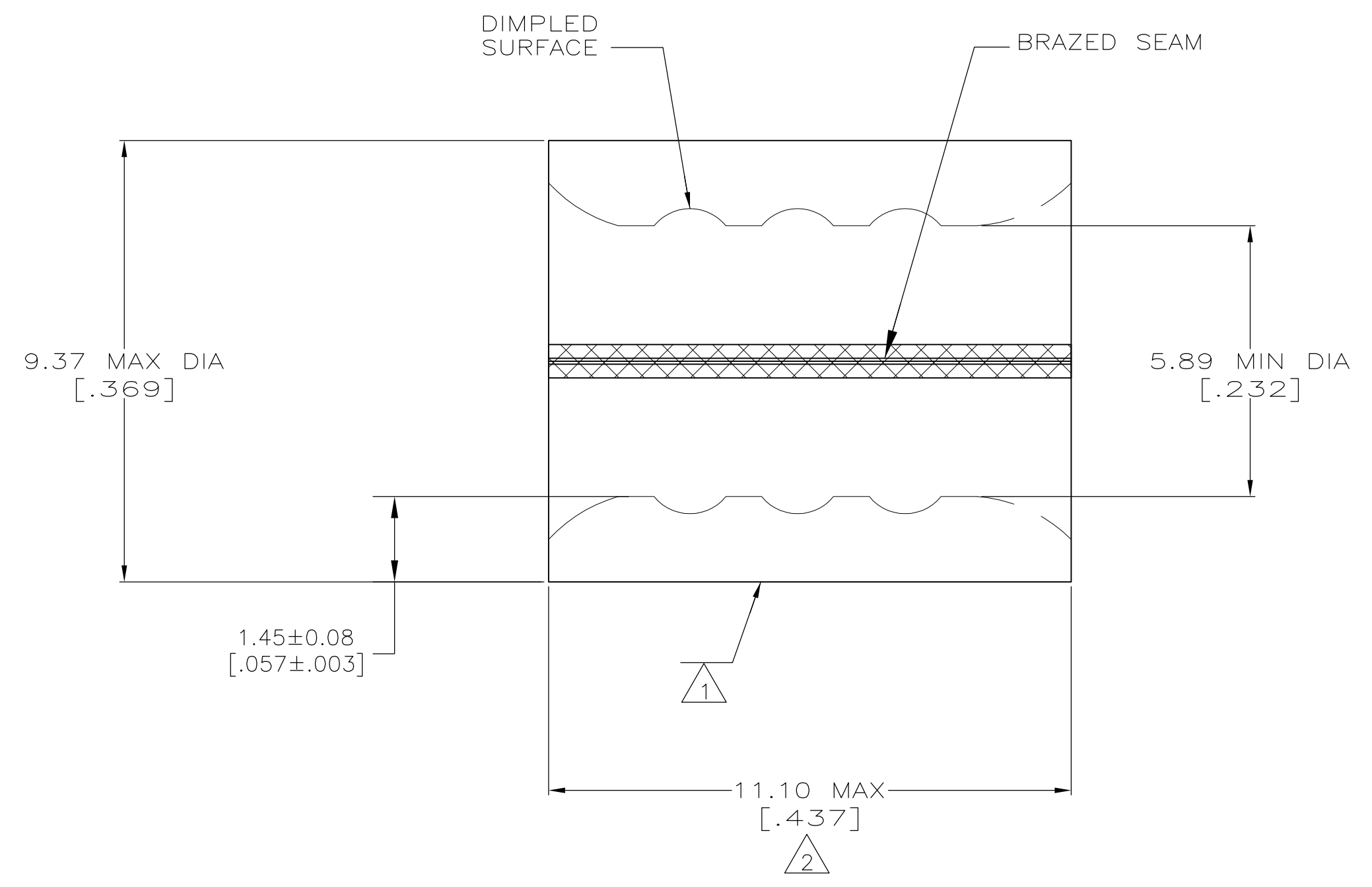


LOC	DIST	REVISIONS					
G	14	P	LTR	DESCRIPTION	DATE	DWN	APVD
			K7	REVISED PER ECO-11-013501	30JUN11	HMR	DR

AMP
 WIRE RANGE
 6 AWG
 SOLID OR STRANDED



- 1 STAMP AMP 6W* APPROX AS SHOWN
- 2 MAXIMUM LENGTH DOES NOT INCLUDE MANUFACTURING TABS
- 3 MATERIAL: COPPER PER ASTM B-152 ANNEALED
- 4 UL LISTED E13288, 6 AWG STRANDED
- 5 CSA CERTIFIED LR7189, 6 AWG SOLID OR STRANDED.
- 6 0.00254 [.000100] MIN TIN ASTM B-545
- 7 TIN/LEAD (60/40) 0.00254 [.000100] MIN TIN SAE-AMS-P-81728
- 8 GOLD PLATE 0.00127[.000050] MIN EXT THK PER ASTM B488, TYPE 1, CODE C OVER NICKEL PLATE 0.00127[.000050] MIN EXT THK PER SAE AMS QQ-N-290 OVER Cu FLASH PER SAE AMS 2418
- 9 NOTE DELETED.

170°C[338°F]	4 5	20	6	LOOSE PIECE, BOX	8-34319-5
260°C[500°F]	----	100	8	LOOSE PIECE	34319-3
170°C[338°F]	----	100	7	LOOSE PIECE	34319-1
170°C[338°F]	4 5	500	6	LOOSE PIECE	34319
MAX OPERATING TEMP	APPROVALS	QTY	FINISH	PACKAGE TYPE	PART NO

**AMP INCORPORATED
 CUSTOMER SERVICE SYSTEMS**

MAX RECOMMENDED OPERATING TEMPERATURE:
 SEE TABLE

VOLTAGE RATING:
 N/A

CIRCULAR MIL AREA:
 10.5-16.8mm²[20,800-33,100]
 SOLID OR STRANDED

FOR ADDITIONAL PRODUCT INFORMATION OR COPIES OF DRAWINGS AND TECHNICAL DOCUMENTS
 PRODUCT INFORMATION CENTER
 1-800-522-6752

FOR APPLICATION TOOLING INFORMATION
 TOOLING ASSISTANCE CENTER
 1-800-722-1111

FOR ORDER ENTRY
 1-800-526-5142

THIS DRAWING IS A CONTROLLED DOCUMENT FOR AMP INCORPORATED. IT IS SUBJECT TO CHANGE AND THE CONTROLLING ENGINEERING ORGANIZATION SHOULD BE CONTACTED FOR THE LATEST REVISION.

THIS DRAWING IS A CONTROLLED DOCUMENT.

DWN TA BRINKMAN 4-14-93
 CHK DA PATTERSON 4-14-93
 APVD DA PATTERSON 4-14-93

STE TE Connectivity

NAME: SPLICE, PARALLEL, SOLISTRAND

SIZE: A2 CAGE CODE: 00779 DRAWING NO: G-34319

RESTRICTED TO: -

MATERIAL: FINISH: SEE TABLE WEIGHT: -

CUSTOMER DRAWING SCALE: 10:1 SHEET: 1 OF 1 REV: K7