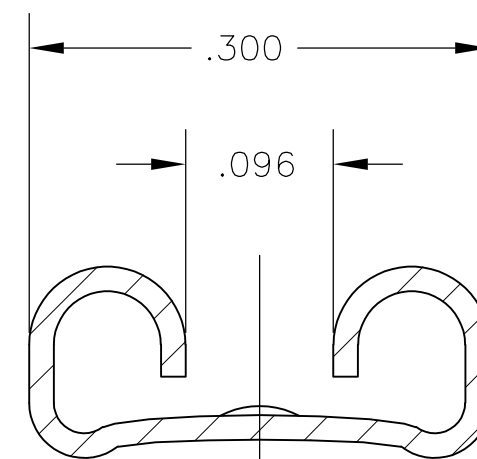
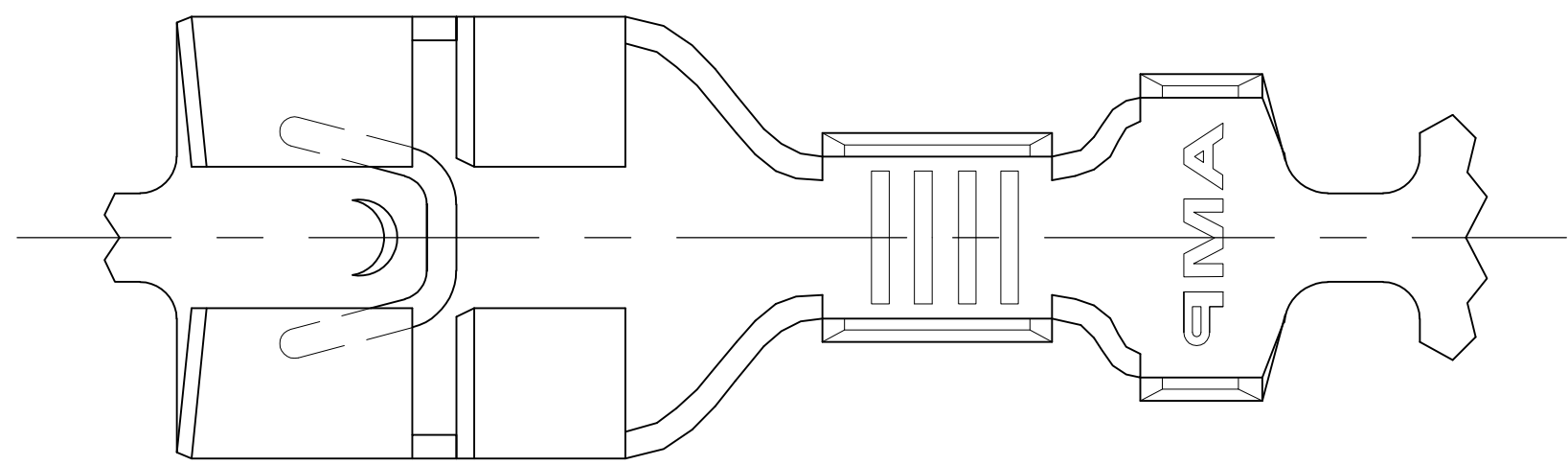


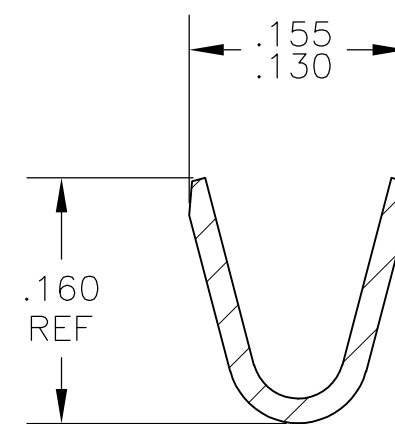
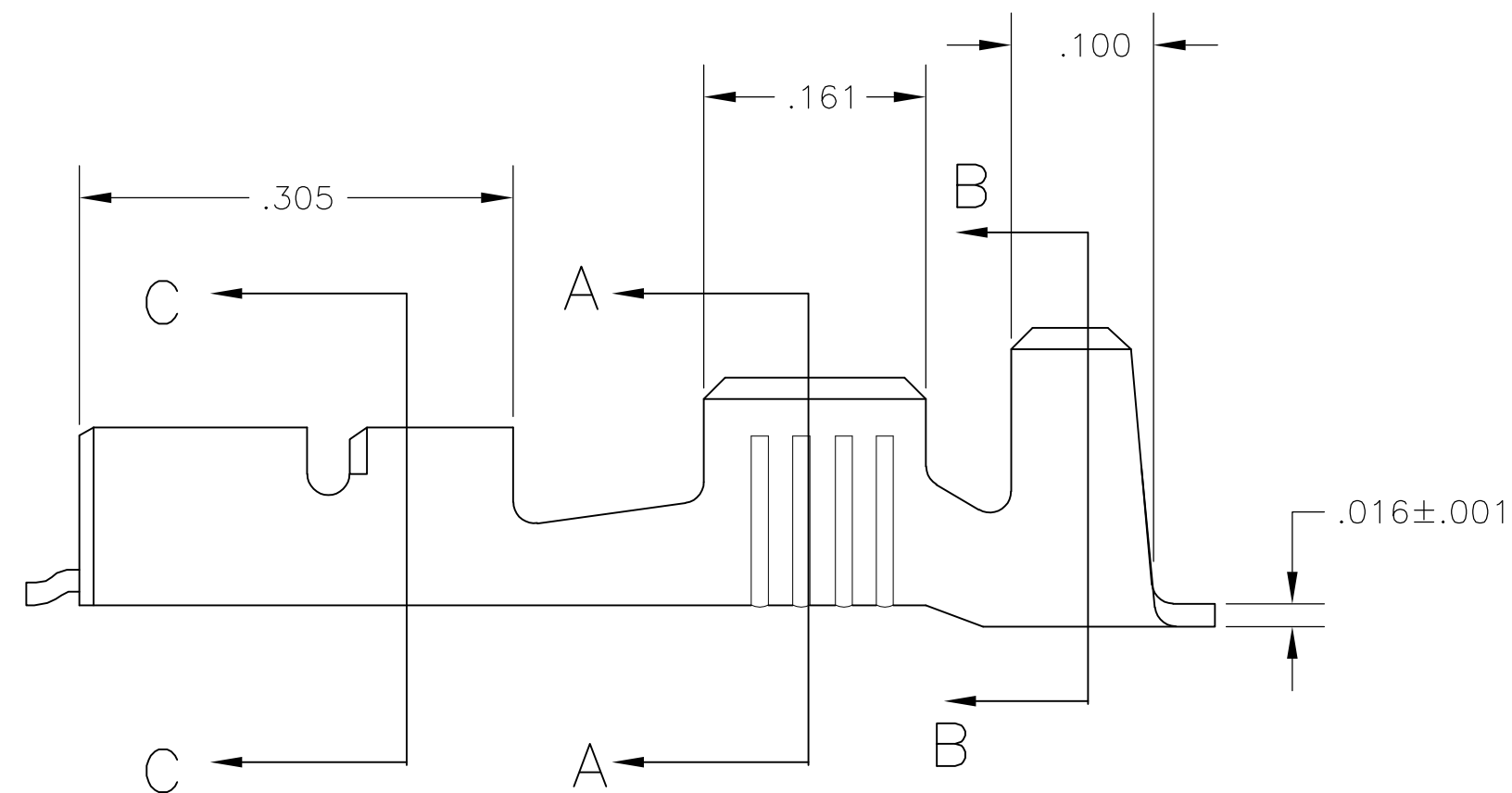
THIS DRAWING IS UNPUBLISHED. RELEASED FOR PUBLICATION
 © COPYRIGHT - By - ALL RIGHTS RESERVED.

LOC	DIST	REVISIONS					
AF	50	P	LTR	DESCRIPTION	DATE	DWN	APVD
		P		REVISED PER ECR-11-018063	26DEC11	KH	PD

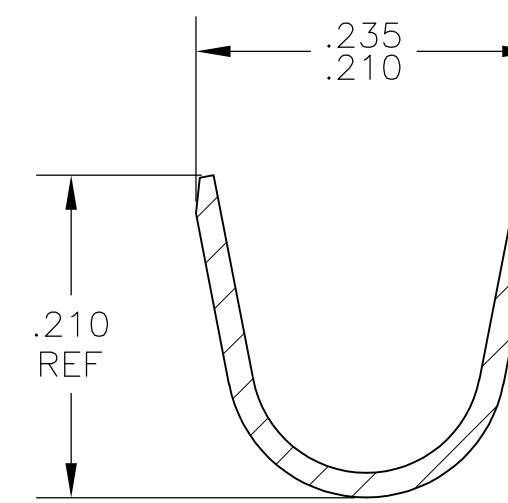
- 1 CONTINUOUS STRIP ON REELS
- 2 ACCEPTS #18-#14 AWG WIRE SIZE
- 3 INSULATION RANGE IS .120-.170 DIA
- 4 MATING TAB THK IS .032±.001.
- 5 REELED WITH INTERLEAVING PAPER
- 6 PRELIMINARY - NOT FOR PRODUCTION



SECTION C-C



SECTION A-A



SECTION B-B

OBSOLETE	5 STANDARD	.000080 MIN TIN	6 1-63306-0
	REVERSE	-	63306-3
	STANDARD	TIN	63306-2
	STANDARD	-	63306-1
	REELING	FINISH	PART NO

THIS DRAWING IS A CONTROLLED DOCUMENT.		DWN JR RUTH 20JUN02	TE TE Connectivity	
DIMENSIONS: INCHES		CHK P DESANTIS 20JUN02		
TOLERANCES UNLESS OTHERWISE SPECIFIED:		APVD P DESANTIS 20JUN02	NAME RECEPTACLE, FASTON, .250 SERIES	
0 PLC ± -		PRODUCT SPEC	SIZE CAGE CODE DRAWING NO RESTRICTED TO	
1 PLC ± -		APPLICATION SPEC	A2 00779 C=63306	
2 PLC ± -		FINISH	SCALE 8:1 SHEET 1 of 1 REV P	
3 PLC ± .010		MATERIAL 4M BRASS	CUSTOMER DRAWING	
4 PLC ± -		SEE TABLE		
ANGLES ± -				