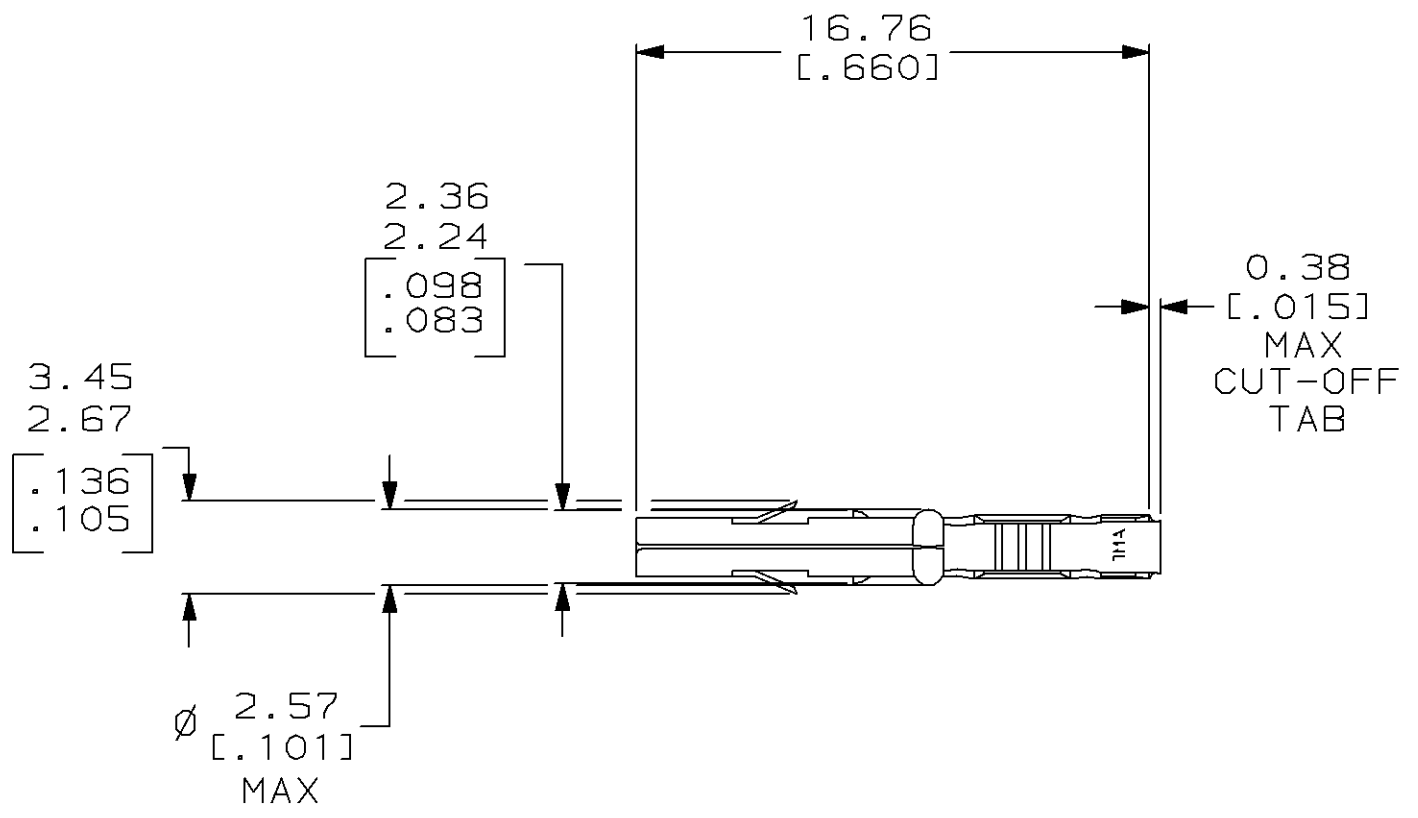
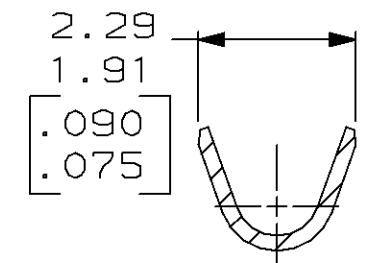
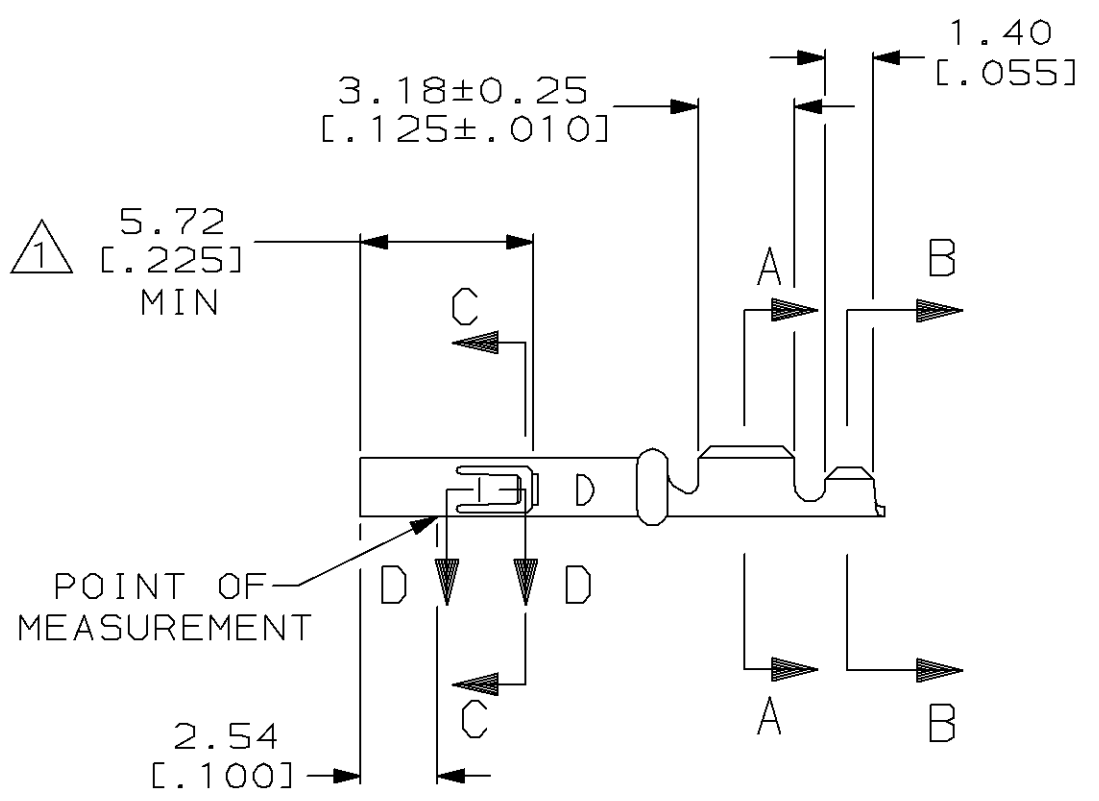


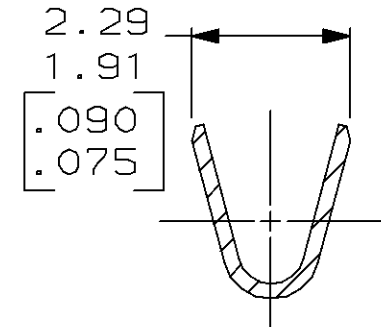
Loc		DIST		P		F		ZONE		LTR		REVISIONS		DATE	APPD
CM	53											0	RLSD PER PR CM 93-25	3-4-93	KS



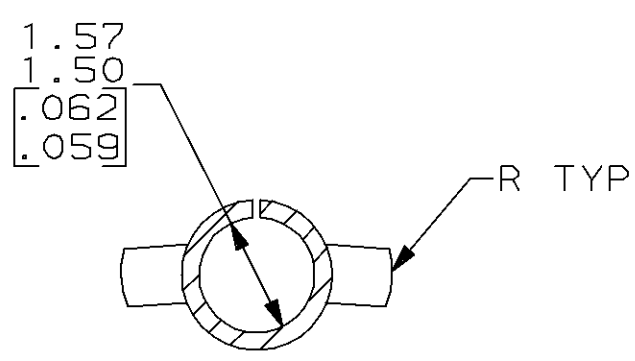
- 1. PLATED INTERNALLY WITH 0.00076 [.000030] GOLD, GOLD FLASH ON THE REMAINDER, OVER 0.00127 [.000050] NICKEL.
- 2. THIS CONTACT MATES WITH MR LIVE SPLIT PIN ONLY.
- 3. DIMENSIONS IN BRACKETS ARE IN INCHES.



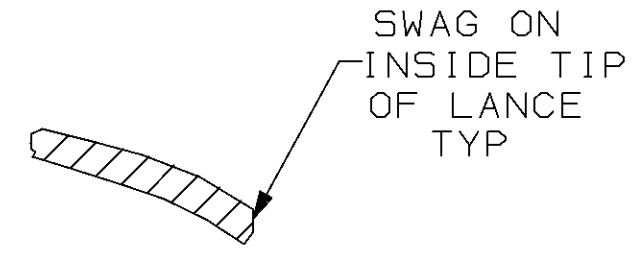
SECTION A-A
SCALE 10:1



SECTION B-B
SCALE 10:1



SECTION C-C
SCALE 10:1



SECTION D-D
SCALE 10:1

METRIC

THIS DRAWING IS A CONTROLLED DOCUMENT FOR AMP INCORPORATED. IT IS SUBJECT TO CHANGE AND THE CONTROLLING ENGINEERING ORGANIZATION SHOULD BE CONTACTED FOR THE LATEST REVISION.

FINISH	GOLD Δ PRE-TIN	0.20 [.008] PH BRZ 0.20 [.008] PH BRZ	794001-2 794001-1
MATERIAL			
PART NO			

DO NOT SCALE PRINT. UNLESS SPECIFIED DIMENSIONS IN mm [INCHES] TOLERANCES ON: 2 PLC DEC ± 0.13 [.005] 3 PLC DEC ± - ANGLES ± -	DR 3-4-93 K. SALMON	AMP Incorporated Harrisburg, PA 17105-3608	
	CHK 3-4-93 R. SWING		
MATERIAL	APPD 3-4-93 J. ANDREW	NAME	
SEE TABLE	APPD 3-4-93 J. ANDREW	RECEPTACLE, LOOSE PIECE, MR	
FINISH	PRODUCT SPEC	SIZE	CAGE CODE
SEE TABLE	APPLICATION SPEC	© 00779	©=794001
	WEIGHT -	SCALE 4:1	SHEET 1 OF 1