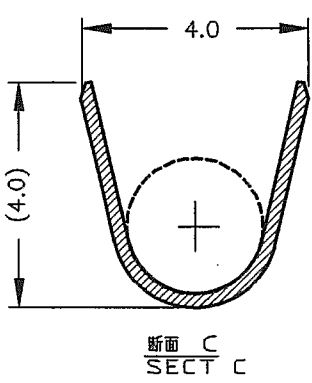
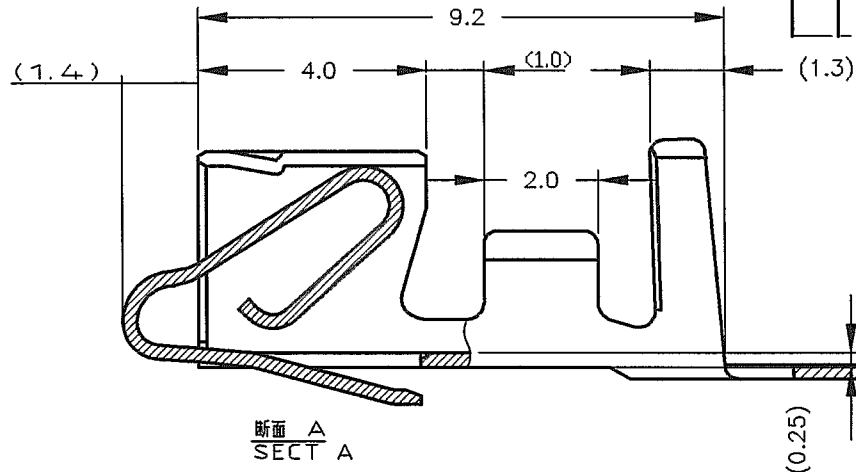
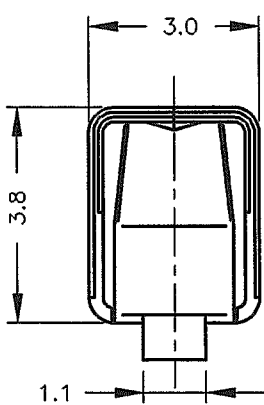
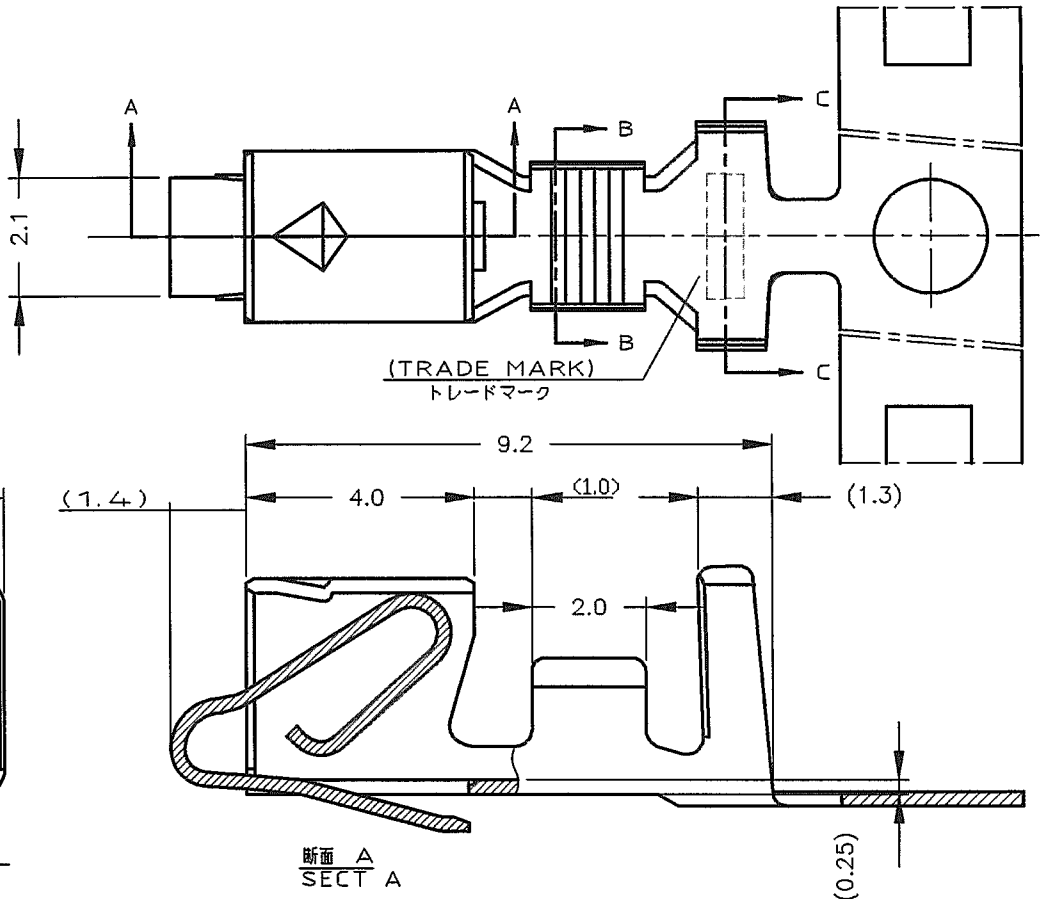


LOC	DIST	REVISIONS						
P	LTR	DESCRIPTION	ECN	DATE	DWN	APVD		
J	//							
	F	変更 (REVISED)		2JUN2009	T.S	T.K		



#	PRE TIN BRASS 無めっき黄銅	1123721-2
1318912-1	PRE TIN PHOS BRO 無めっき黄銅 リン青銅	1123721-1
パラ端子型番	材料	型番
(LOOSE PIECE CONT P/N)(MATERIAL) (Part Number)		

WIRE RANGE 総合電線断面積	0.3~0.89mm ² (AWG#22~18)	INSULATION DIA 被覆外径	φ1.7~3.0mm
-----------------------	-------------------------------------	------------------------	------------

THIS DRAWING IS UNPUBLISHED. ALL RIGHTS RESERVED. BY AMP INCORPORATED. JBLICATION RELEASED FOR ED. COPYRIGHT 19

DIMENSIONS: 単位: 概 mm	DWN 24 JUN '98 N.YAMASAKI
TOLERANCES UNLESS OTHERWISE SPECIFIED: 一般公差	CHK 24 JUN '98 M.SHINDO
5 <= : ±0.3 > 5 : ±0.4	APVD 24 JUN '98 M.SHINDO
	PRODUCT SPEC 製品規格 108-5609
	APPLICATION SPEC 取付適用規格 114-5253
	WEIGHT //
	CUSTOMER DRAWING

MATERIAL 材料	表参照 (SEE LABEL)	FINISH 仕上	//
Tyco Electronics Corporation Kawasaki, Japan			
NAME 名称 ECONOMY POWER(EP) CONN. REC CONT エコミーパワー(EP) コネクタ リセコンタクト			
SIZE	CAGE CODE	DRAWING NO	RESTRICTED TO
A4	00779	C-1123721	F

SCALE 尺度	//	SHEET	1	OF	1	REV	F
-------------	----	-------	---	----	---	-----	---