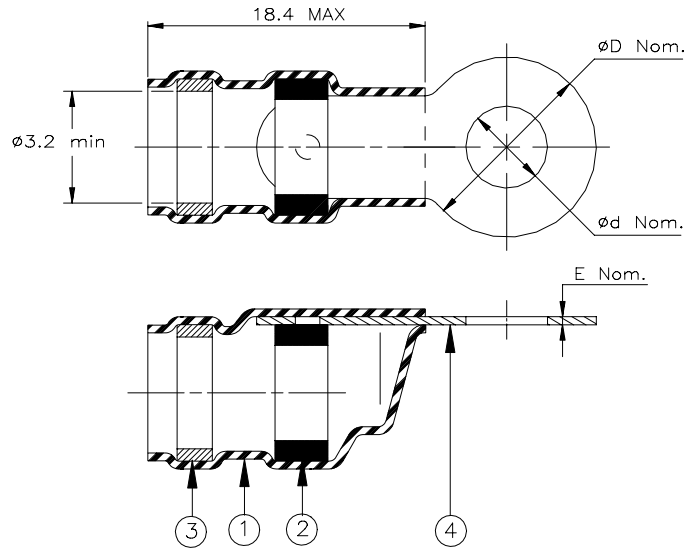


SPECIFICATION CONTROL DRAWING



Product Name	Product Dimensions		
	$\phi D (\pm 0.1)$	ϕd	E
W-062-05	6.35	M3.5	0.35
W-062-07	5.08	M2	0.35
W-062-09	9.40	M5	0.35
W-062-16	8.0	M4	0.55

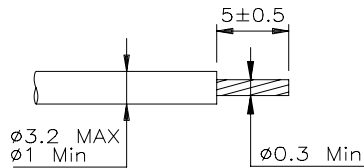
MATERIALS

- INSULATION SLEEVE: Heat-shrinkable, transparent blue, radiation cross-linked modified polyvinylidene fluoride.
- SOLDER PREFORM WITH FLUX:
 SOLDER: TYPE Sn63 per ANSI-J-STD-006.
 FLUX: TYPE ROM1 per ANSI-J-STD-004.
- MELTABLE SEALING RING: Thermally stabilized thermoplastic. Color: blue.
- RING TERMINAL: Tin plated brass.

APPLICATION

- These controlled soldering devices are designed for termination of a bare or tin plated copper wire, having an insulation rated for at least 125°C to a ring terminal.
- Temperature range: -55°C to 150°C.

For best results, prepare the cable as shown:



*A trademark of Raychem Corporation.

	Tyco Electronics Corporation 300 Constitution Drive, Menlo Park, CA. 94025, U.S.A.			TITLE: SOLDERSLEEVE RING TERMINAL		
	Unless otherwise specified dimensions are in millimeters.			DOCUMENT NO.: W-062-XX		
TOLERANCES: 0.00 N/A 0.0 N/A 0 N/A	ANGLES: N/A ROUGHNESS IN MICRON	Tyco Electronics reserves the right to amend this drawing at any time. Users should evaluate the suitability of the product for their application.		REV.: B	DATE: 19-Jan-07	
DRAWN BY: P.TALLY	CAGE CODE: 06090	REPLACES: D060410	DCR NUMBER: D070000	SCALE: NTS	SIZE: A	SHEET: 1 of 1