



RAYCHEM INSTALITE MOLDED BOOTS

ADVANCED MATERIALS SCIENCE DRIVES UP TO 30% WEIGHT SAVINGS . . . REDUCES INSTALLATION TIME WITH HIGH-PERFORMANCE HEAT-SHRINK SHAPE MEMORY BOOTS

INSTALITE MOLDED BOOTS

High-Performance Heat-Shrink Boots



WEIGHT SAVINGS

- 20% to 30% lighter than standard -25 parts

TIME SAVINGS

- Optimized interior geometry speeds installation time
- Faster recovery

RUGGED

- -75°C to 150°C temperature range
- Resists most common military fuels, oils, and greases
- Abrasion resistant

COMPATIBLE

- Part of System 25 harnessing components
- Lighter weight drop-in replacement for standard -25 boots
- Meets the requirements of VG 95343 Parts 6 and 18

APPLICATIONS

- Military ground systems
- Aerospace
- Marine

INSTALITE boots are a lighter weight alternative of our -25 heat-shrink boots. Utilizing our expertise in fluid-resistant, modified elastomers, we've created semi-rigid, abrasion-resistant boots that are up to 30% lighter than our standard -25 boots. INSTALITE boots offer the same balance of high-temperature fluid resistance and long-term heat resistance.

Product Performance

PHYSICAL CHARACTERISTICS

- **Tensile strength:** 10 MPa (1450 psi) min.
- **Ultimate elongation:** 400% min.
- **Specific gravity:** 1 (± 0.05)

THERMAL CHARACTERISTICS

- **Heat aging** (168 hr @ 160°C): 400% min. ultimate elongation
- **Heat shock** (4 hr @ 215°C): 400% min. ultimate elongation
- **Low-temperature flexing** (4 hr @ -75°C): No cracking
- **Flammability burn time:** 120 seconds max

ELECTRICAL

- **Electrical strength:** 15 MV/m (4.6 MV/ft)

FLUID RESISTANCE

(Aviation Fuel, Hydraulic Fluids, Lubricating Oil, Cleaning Fluids, Deicers)

- **After 24-hr immersion:** 8 MPa (1160 psi) min. tensile strength
300% min. ultimate elongation

DOCUMENTS

- **RW-3040:** Product specification
- **ELE-3COP-555:** Installation of 90° boot
- **ELE-3COP-554:** Installation of straight boot

TOOLING

- **Heat gun:** CV 1981

INSTALLATION TIME

(Timings are representative across the range based on our codes of practice)

- **System 25 boot:** 2 minutes 24 seconds
- **System 25L boot:** 1 minute 41 seconds

Visit www.te.com/INSTALITE to view our installation video.

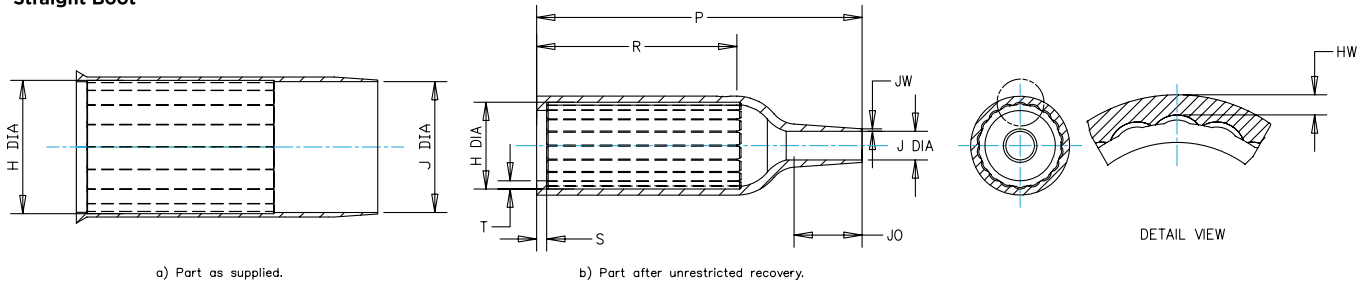
TE Components ... TE Technology ... TE Know-how ...

AMP | Agastat | CII | Hartman | Kilovac | Microdot | Nanonics | Raychem | Rochester | DEUTSCH

Get your product to market faster with a smarter, better solution.

Instalite Molded Boots

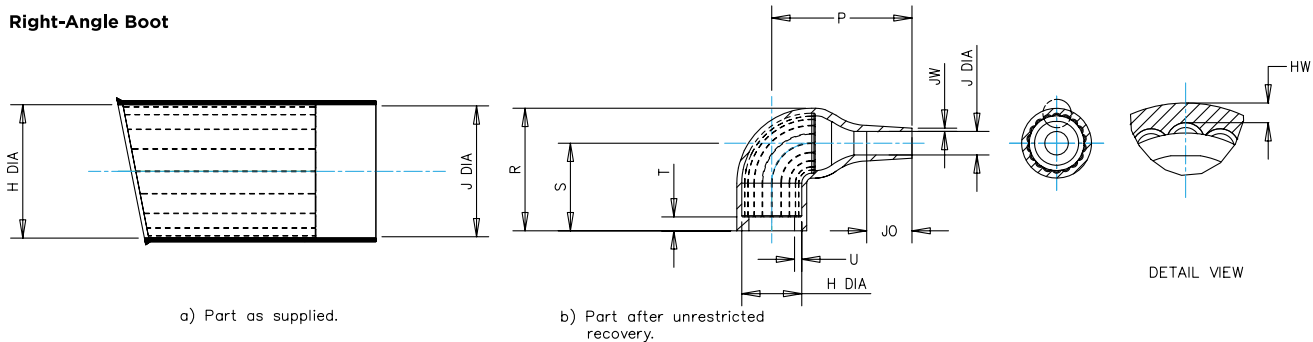
Straight Boot



Part No.	H		J		P ±10% b	R ±10% b	HW ±20% b	JW Min. b	Avg Weight Savings
	Min. a	Max. b	Min. a	Max. b					
202K121-25L-0	24 [0.95]	10.4 [0.41]	24 [0.95]	5.6 [0.22]	38 [1.50]	21 [0.83]	1.3 [0.05]	0.9 [0.04]	20%
202K132-25L-0	30 [1.18]	14.2 [0.56]	30 [1.18]	5.9 [0.23]	55 [2.17]	32 [1.26]	1.3 [0.05]	1.0 [0.04]	20%
202K142-25L-0	31 [1.22]	18 [0.71]	31 [1.22]	7.1 [0.28]	67 [2.64]	35 [1.38]	1.2 [0.04]	1.0 [0.04]	20%
202K153-25L-0	36 [1.42]	22.4 [0.88]	36 [1.42]	8.4 [0.33]	80 [3.15]	42 [1.65]	1.5 [0.06]	1.0 [0.04]	23%
202K163-25L-0	43 [1.69]	28.2 [1.11]	43 [1.69]	9.9 [0.39]	99 [3.90]	61 [2.40]	2.0 [0.08]	1.2 [0.05]	28%
202K174-25L-0	60 [2.36]	35.1 [1.38]	60 [2.36]	15.7 [0.62]	130 [5.12]	72 [2.83]	2.3 [0.09]	1.5 [0.06]	22%
202K185-25L-0	66 [2.60]	44.5 [1.75]	66 [2.60]	16.8 [0.66]	170 [6.69]	90 [3.54]	1.8 [0.07]	2.0 [0.08]	21%

See the latest Specification Control Document for full dimensions

Right-Angle Boot



Part No.	H		J		P ±10% b	R ±10% b	S ±10% b	HW ±20% b	JW Min. b	Avg Weight Savings
	Min. a	Max. b	Min. a	Max. b						
222K121-25L-0	24 [0.95]	10.4 [0.41]	24 [0.95]	5.6 [0.22]	25 [0.98]	25 [0.98]	19 [0.75]	1.3 [0.05]	0.5 [0.02]	30%
222K132-25L-0	30 [1.18]	14.2 [0.56]	30 [1.18]	5.9 [0.23]	32 [1.26]	27 [1.06]	20 [0.79]	1.3 [0.05]	0.8 [0.03]	26%
222K142-25L-0	31 [1.22]	18 [0.71]	31 [1.22]	7.1 [0.28]	39 [1.54]	31 [1.22]	21 [0.83]	1.2 [0.04]	1.0 [0.04]	21%
222K152-25L-0	36 [1.42]	22.4 [0.88]	36 [1.42]	8.4 [0.33]	46 [1.81]	38 [1.50]	26 [1.02]	1.5 [0.06]	1.0 [0.04]	26%
222K163-25L-0	43 [1.69]	28.2 [1.11]	43 [1.69]	9.9 [0.39]	55 [2.17]	45 [1.77]	30 [1.18]	2.0 [0.08]	1.0 [0.04]	21%
222K174-25L-0	60 [2.36]	35.1 [1.38]	60 [2.36]	15.7 [0.62]	80 [3.15]	54 [2.13]	35 [1.38]	2.3 [0.09]	1.5 [0.06]	23%
222K185-25L-0	66 [2.60]	44.5 [1.75]	66 [2.60]	16.8 [0.66]	108 [4.25]	68 [2.68]	42 [1.65]	1.8 [0.07]	2.0 [0.08]	25%

See the latest Specification Control Document for full dimensions

For More Information

TE Technical Support Center

North America	+1 800 522 6752
Asia Pacific	+86 0 400 820 6015
Austria	+43 1 905 601 228
Baltic Regions	+46 8 5072 5000
Benelux	+31 73 6246 999
Czech Republic	+420 800 701 462
France	+33 1 34 20 86 86
Germany	+49 6251 133 1999
Hungary	+36 809 874 04
Italy	+39 011 401 2632
Nordic	+46 8 5072 5000
Poland	+48 800 702 309
Russia	+7495 790 790 2
Spain/Portugal	+34 93 2910366
Switzerland	+41 52 633 66 26
United Kingdom	+44 800 267 666

Follow us on Twitter for all the latest product news
@TEConnectivity, and on Facebook, TEConnectivity.

te.com/ADM

© 2014 TE Connectivity Ltd. family of companies. All Rights Reserved.

1-1773847-4 ADM/RRD 2.5M 11/2014

INSTALITE, Raychem, TE Connectivity and the TE connectivity (logo) are trademarks of the TE Connectivity Ltd. family of companies.

Other product or company names mentioned herein may be trademarks of their respective owners.

While TE has made every reasonable effort to ensure the accuracy of the information herein, nothing herein constitutes any guarantee that such information is error-free, or any other representation, warranty or guarantee that the information is accurate, correct, reliable or current. The TE entity issuing this publication reserves the right to make any adjustments to the information contained herein at any time without notice. All implied warranties regarding the information contained herein, including, but not limited to, any implied warranties of merchantability or fitness for a particular purpose are expressly disclaimed. The dimensions herein are for reference purposes only and are subject to change without notice. Specifications are subject to change without notice.

Consult TE for the latest dimensions and design specifications.