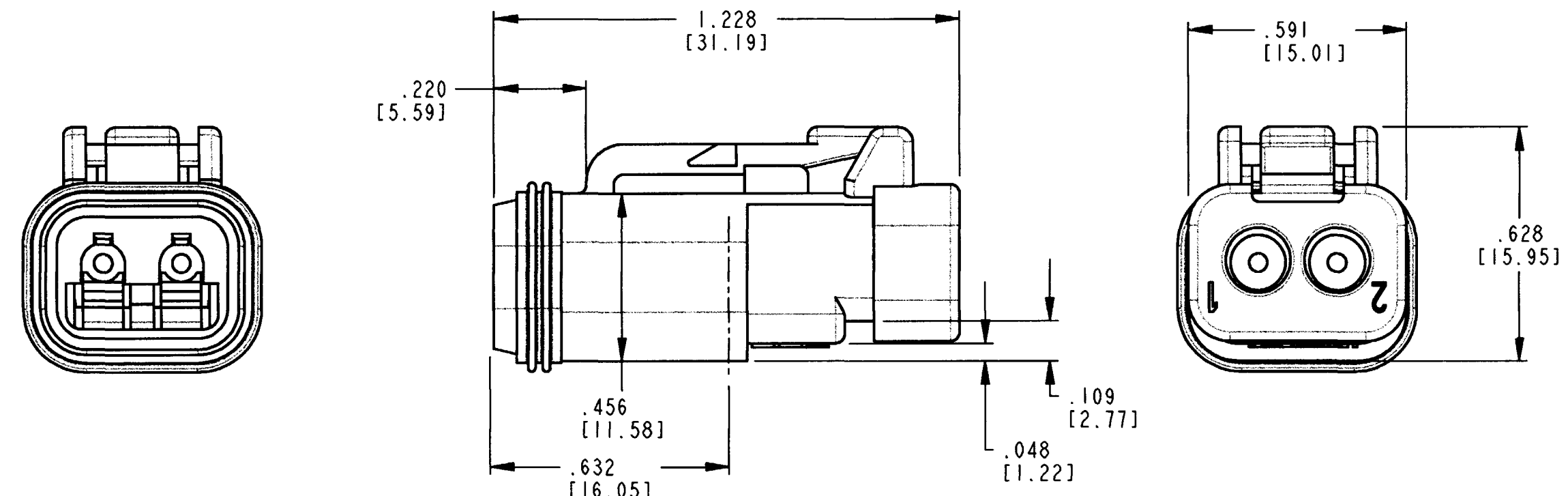


REV  
A  
DT06-2S-EP06

| REVISIONS |                             |          |          |
|-----------|-----------------------------|----------|----------|
| SYM       | DESCRIPTION                 | DATE     | APPROVED |
| NC        | NEW RELEASE PER E.O. P15141 | 1-31-97  | R.R.     |
| A         | REVISED PER E.O. P15827     | 12-31-98 | RDR      |
|           |                             |          |          |
|           |                             |          |          |



PLUG INSERTS INTO RECEPT.  
WITHIN THIS DISTANCE.

| CONTACT SIZE | MIN. INSUL. O.D. | MAX. INSUL. O.D. | WIRE RANGE                           |
|--------------|------------------|------------------|--------------------------------------|
| 16           | .088 [2.23]      | .145 [3.68]      | 14-18 AWG [2.0-0.75mm <sup>2</sup> ] |

- 5. THIS PLUG MATES WITH DT04-2P-E005, DT13-2P-E004, DT15-2P-E004 RECEPTACLE.
- 4. FOR CONTACT AND WIRE PERFORMANCE AND APPLICATION CHARACTERISTICS SEE ENVELOPE DRAWING 0425-015-0000 AND 0425-017-0000.
- 3. WEDGE LOCK W2S-P012 SOLD SEPARATELY.
- 2. DIMENSION TOLERANCE: ±.025 [0.63].

NOTES: 1. DIMENSIONS ARE IN INCHES [METRIC].

| SIGNATURE & DATE |                             |
|------------------|-----------------------------|
| DR               | H. TRAN OCT-14-96           |
| CHK              | <i>[Signature]</i> 12-4-98  |
| PE               | <i>[Signature]</i> 12-16-98 |
|                  |                             |
| APPD             | <i>[Signature]</i> 12-31-98 |
| SCALE            | WT                          |

2 WAY PLUG  
WITH END CAP  
COLOR: BLACK  
DT SERIES

ENVELOPE

|   |                       |
|---|-----------------------|
| CP  | MATL. CODE            |
| <b>The Deutsch Company</b><br>DEUTSCH I.P.D.<br>3850 INDUSTRIAL AVE.<br>HEMET, CALIF. 92545 |                       |
| <b>B</b>  | <b>DT06-2S-EP06</b>   |
| DWG SIZE  | CODE 11139 SHEET   OF |